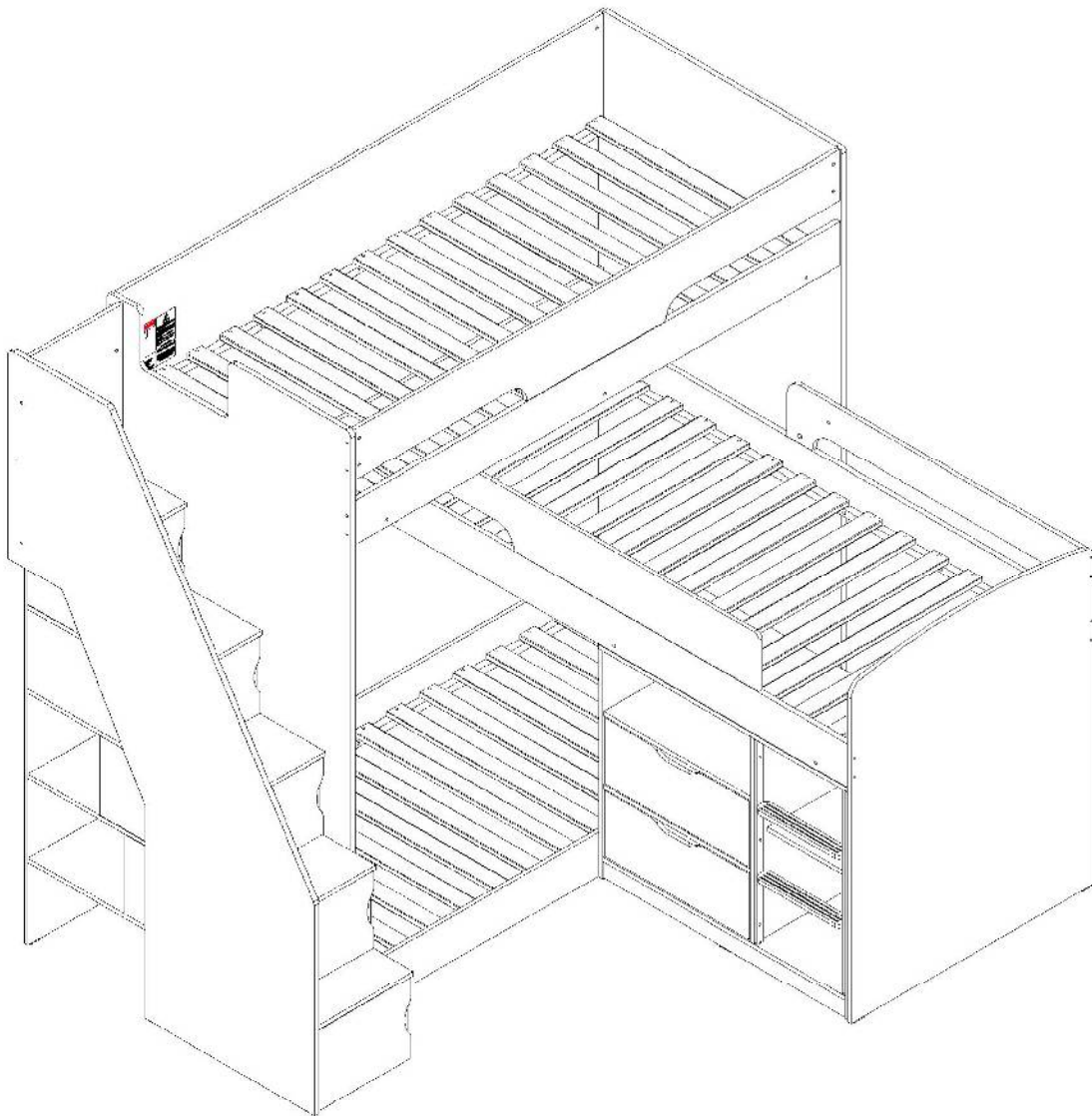


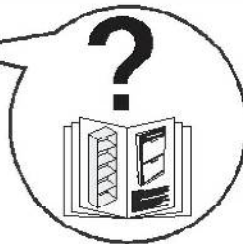
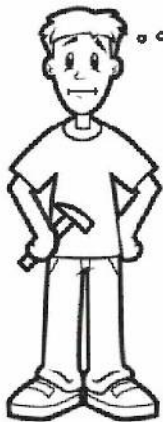
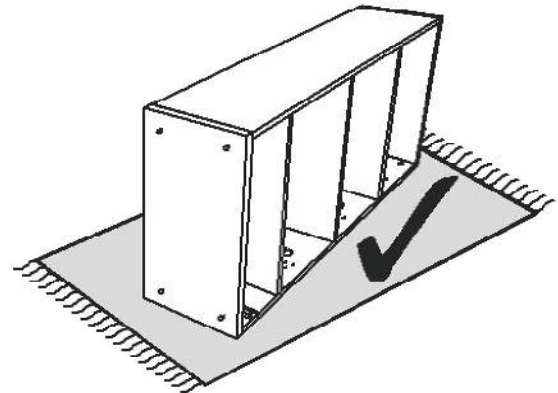
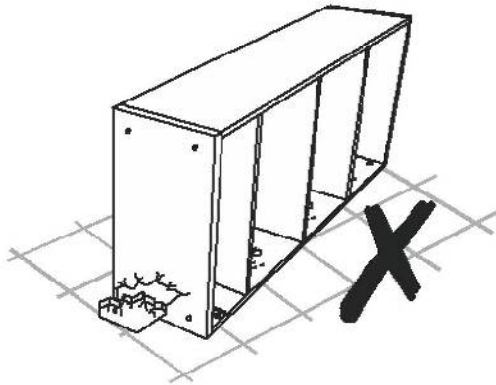
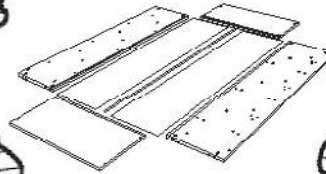
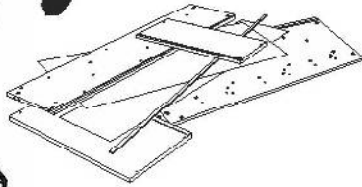
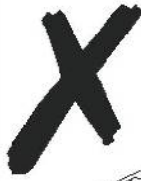
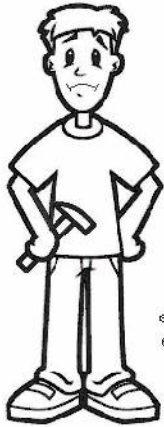
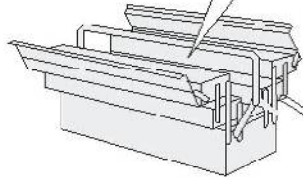
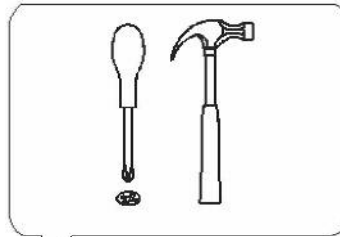
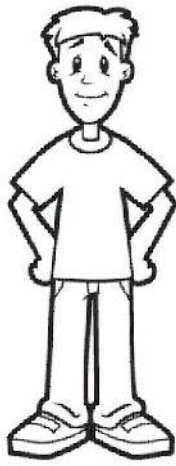
**IMPORTANT - READ CAREFULLY - RETAIN
FOR FUTURE REFERENCE**

Flair Furnishings

Oscar Triple L Shaped Tall Bunk Bed

Assembly Instructions





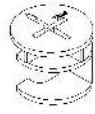
Flair Furniture Ltd
(01924 950 955)

HARDWARE



A

62x



B

62x



C

123x



D

11x



E

16x



F

8x



G

8x



H

60x



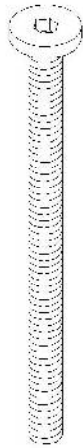
M

12x



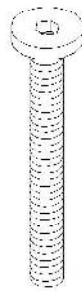
N

29x



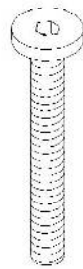
P

2x



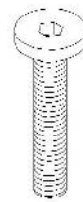
Q

2x



R

39x



S

29x



T

92x



U

17x



V

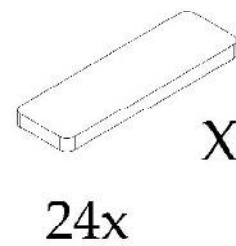
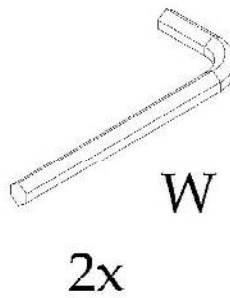
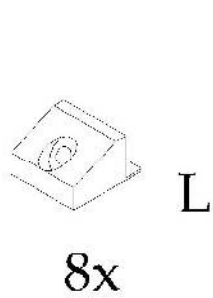
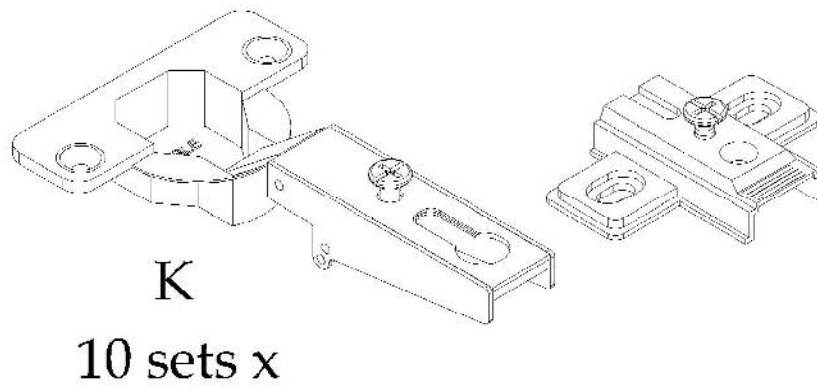
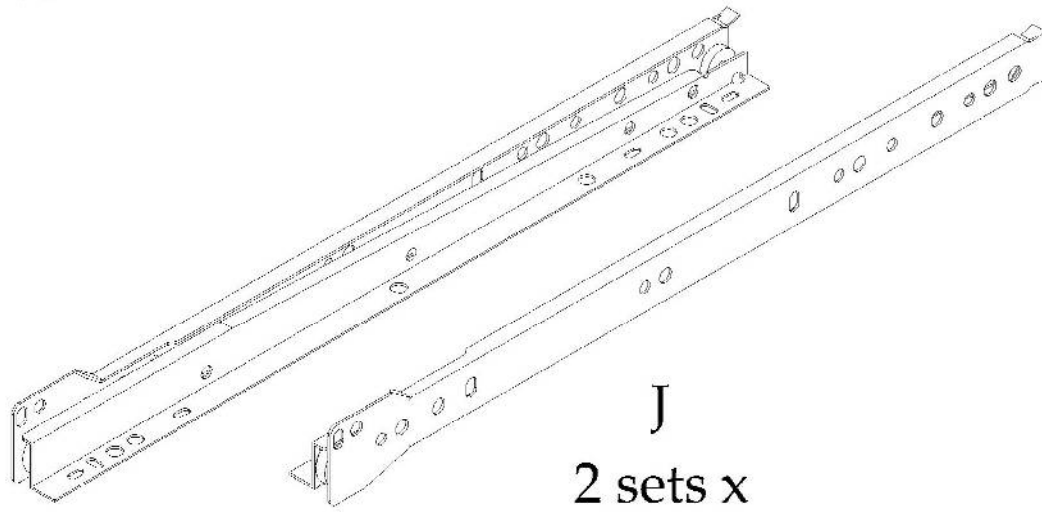
22x



Y

4x

HARDWARE



Part List
Model :

OSCAR

Box1 + assembly instructions & fixings

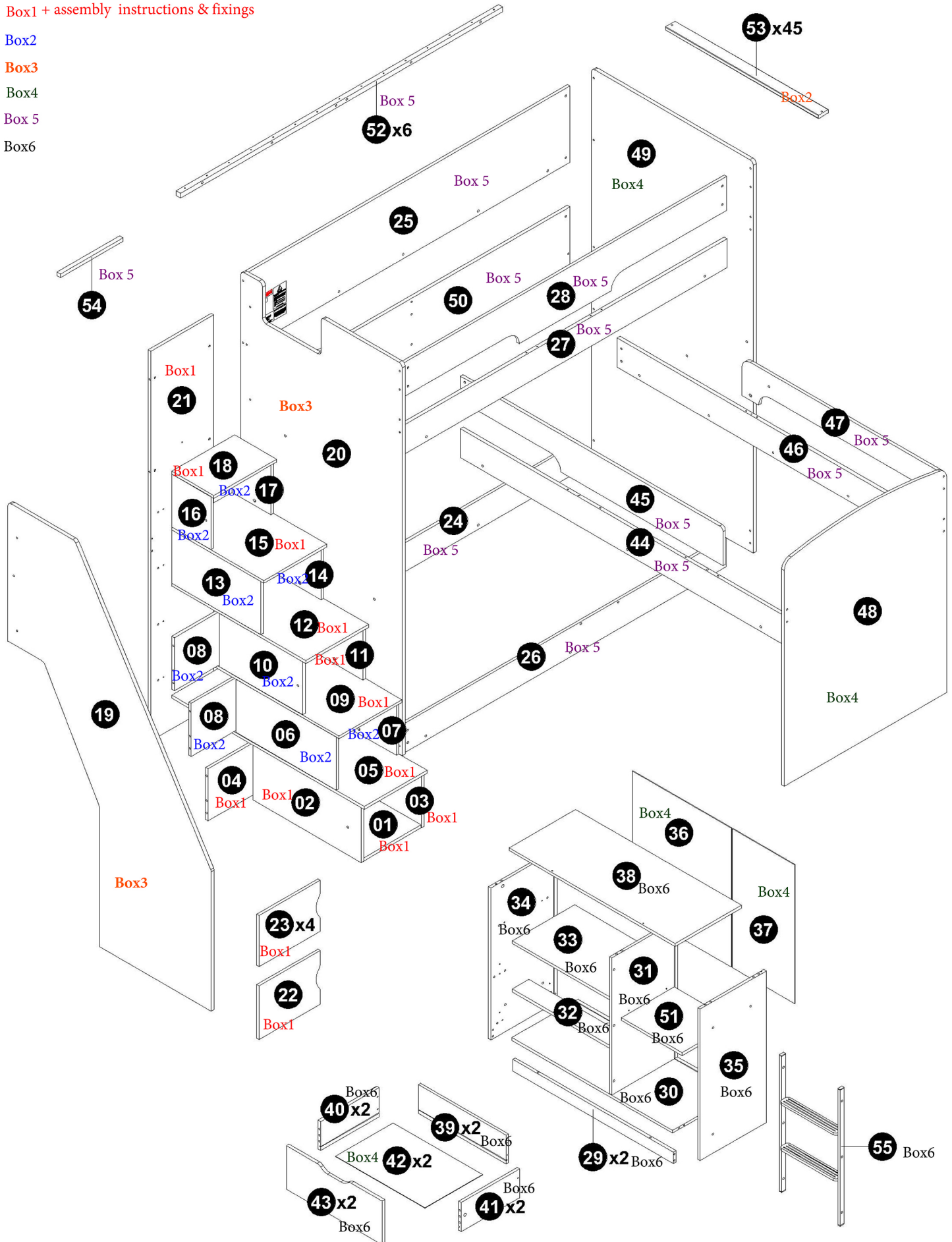
Box2

Box3

Box4



Box 5

Box6



Carton 1 of 6

Carton 5 of 6

No.	 Part Name	Pcs	No.	 Part Name	Pcs
01	Ladder Bottom Panel	1	24	Back Side Panel (Bottom)	1
02	Left Panel (1st Ladder Step)	1	25	Back Side Panel (Upper)	1
03	Right Panel (1st Ladder Step)	1	26	Front Side Panel (Bottom)	1
04	Back Panel (1st Ladder Step)	1	27	Front Side Panel (Upper)	1
05	Top Panel (1st Ladder Step)	1	28	Front Panel	1
09	Left Panel (2nd Ladder Step)	1	44	Side Panel (Bottom)	1
11	Right Panel (3rd Ladder Step)	1	45	Side Panel (Upper)	1
12	Top Panel (3rd Ladder Step)	1	46	Side Panel (Bottom)	1
15	Top Panel (4th Ladder Step)	1	47	Side Panel (Upper)	1
18	Top Panel (5th Ladder Step)	1	50	Back Panel	1
21	Ladder Back Panel	1	52	Metal Side Rail	6
22	Door	1	54	Ladder Back Support Rail	1
23	Door	4			

Assembly Instructions + Fitting List

 Carton 2 of 6

 Carton 6 of 6

06	Left Panel (2nd Ladder Step)	1	29	Plinth Panel (Cabinet)	2
07	Right Panel (2nd Ladder Step)	1	30	Bottom Panel (Cabinet)	1
08	Back Panel (2nd Ladder Step)	2	31	Center Support Panel (Cabinet)	1
10	Left Panel (3rd Ladder Step)	1	32	Support Panel (Cabinet)	1
13	Left Panel (4th Ladder Step)	1	33	Center Panel (Cabinet)	1
14	Right Panel (4th Ladder Step)	1	34	Left Panel (Cabinet)	1
16	Left Panel (5th Ladder Step)	1	35	Right Panel (Cabinet)	1
17	Right Panel (5th Ladder Step)	1	38	Top Panel (Cabinet)	1
53	LVL Slats	45	39	Back Panel (Drawer)	2

 Carton 3 of 6

19	Ladder Left Panel	1	40	Left Panel (Drawer)	2
20	Ladder Right Panel	1	41	Right Panel (Drawer)	2
			43	Front Panel (Drawer)	2
			51	Movable Panel (Cabinet)	1
			55	Ladder	1

 Carton 4 of 6

36	Back Panel (Cabinet)	1			
37	Back Panel (Cabinet)	1			
42	Bottom Panel (Drawer)	2			
48	Footboard	1			
49	Right End Panel	1			

Safety Advice

WARNING: This bunk is intended for use by children only, with a maximum recommended weight of 75 Kg. Flair Furnishings. cannot be held responsible for failure or damage to the bunk or personal injuries should this warning be ignored.

Please take the time to carefully read through the whole of these instructions before you commence.

Keep these instructions for future reference.

Unpack, inspect and check off all of the contents.

Please dispose of all packaging safely.

Small component parts could choke a child if swallowed.

We strongly recommend that you keep children well away from the work area.

It would be sensible to lay a sheet or blanket on the floor where you intend to work to avoid scratching this product and to protect your floor.

This product is heavy. Take extreme care when lifting to avoid personal injury or damage to the product.

Assemble the product as close to its intended final position in the room as possible.

Please check the contents of the boxes before attempting to assemble this product.

A full checklist of parts and fittings is given in pages 3 and 4 of this instruction leaflet.

HANDY HINT: If you keep the hardware in a bowl during assembly you will less likely to lose them.

Important Information

Tighten firmly all the fittings when the assembly is complete.

The bed base is an integral and indissociable part of the bed.

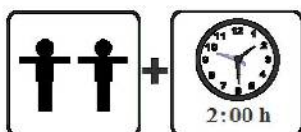
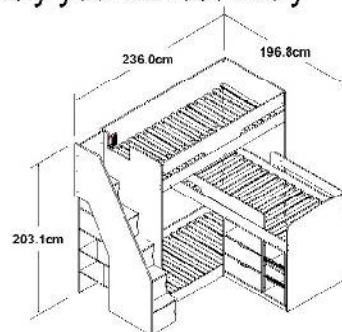
WARNING: High beds and the upper bed of bunk beds are not suitable for children under six years due to the risk of injury through falls.

It is not safe to use this product if any part of the structure is missing or broken.

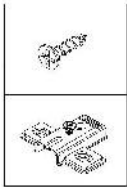
Children could strangle themselves with articles, such as ropes, strings, cords, harnesses and belts attached to, or hung on this product.

WARNING: Children can become trapped between the bed and the wall. To avoid risk of serious injury the distance between the top safety barrier and the wall shall not exceed 75 mm or shall be more than 230 mm.

The largest size of the mattress recommended is: 190 X 90 X 18 cm.

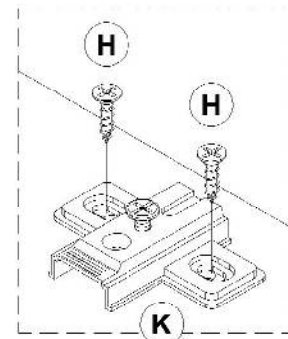
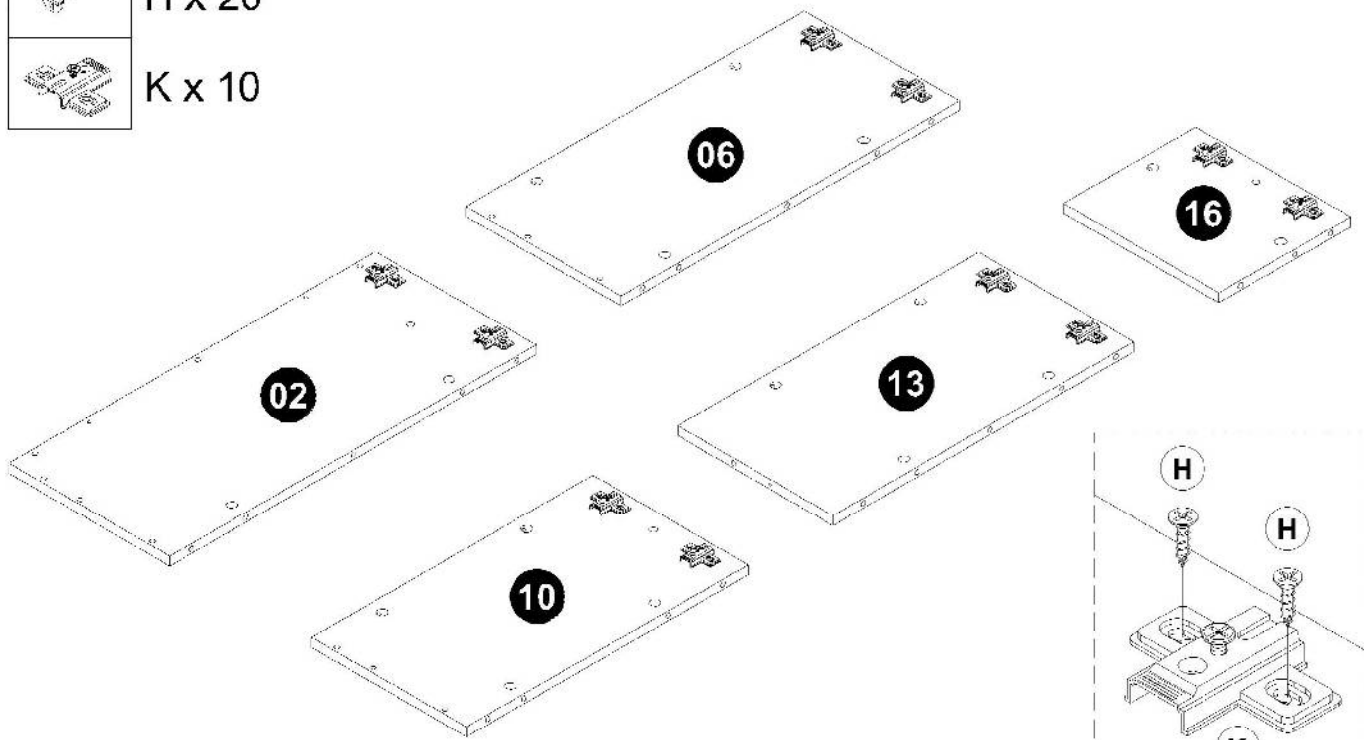


1

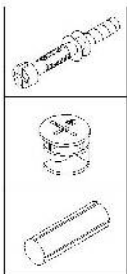


H x 20

K x 10



2



A x 2

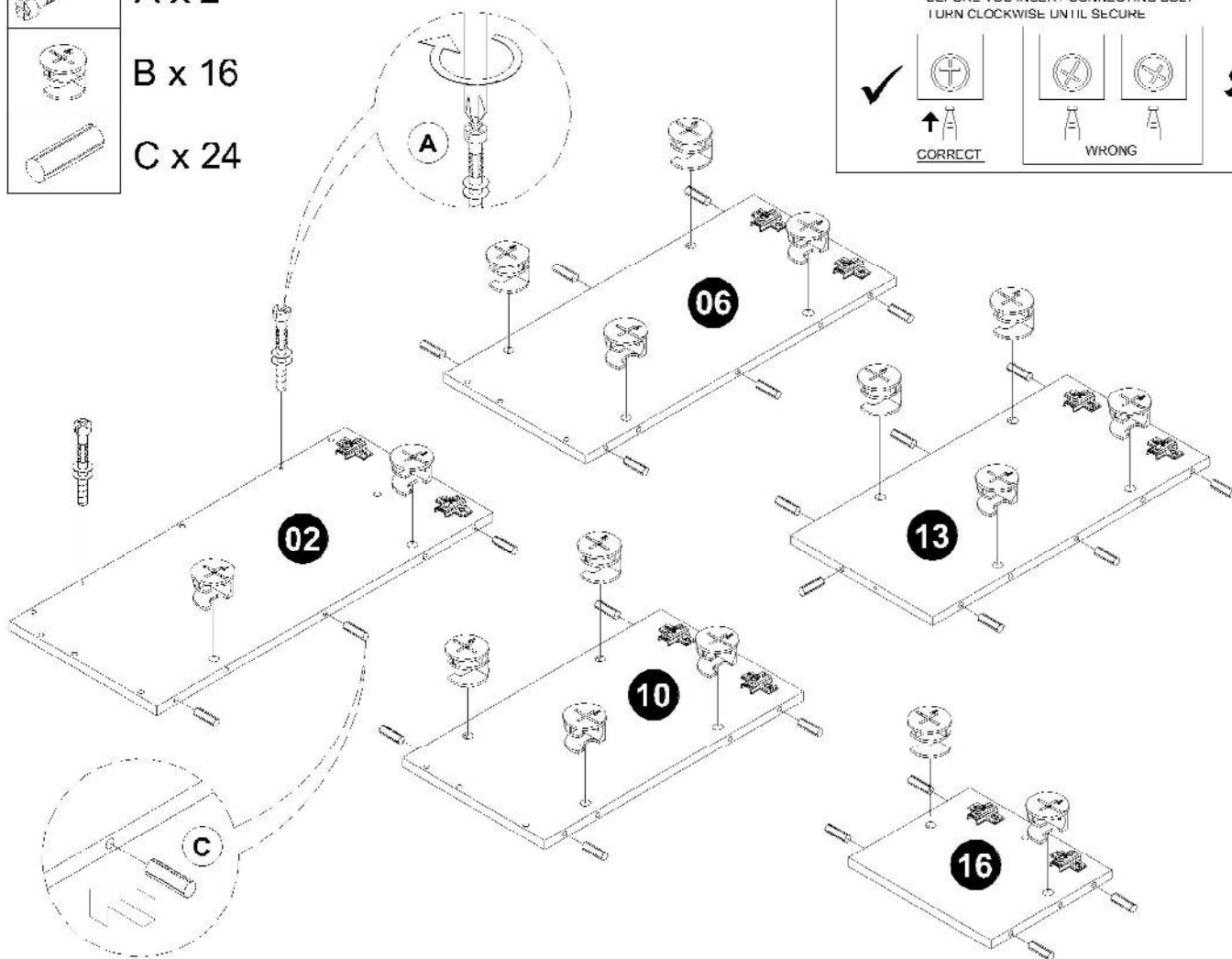
B x 16

C x 24

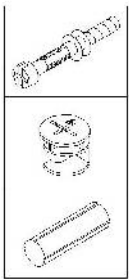
WHEN FITTING CAMS
 ENSURE STARTING POSITION IS CORRECT
 BEFORE YOU INSERT CONNECTING BOLT
 TURN CLOCKWISE UNTIL SECURE

✓ ✗

↑ A
 CORRECT WRONG



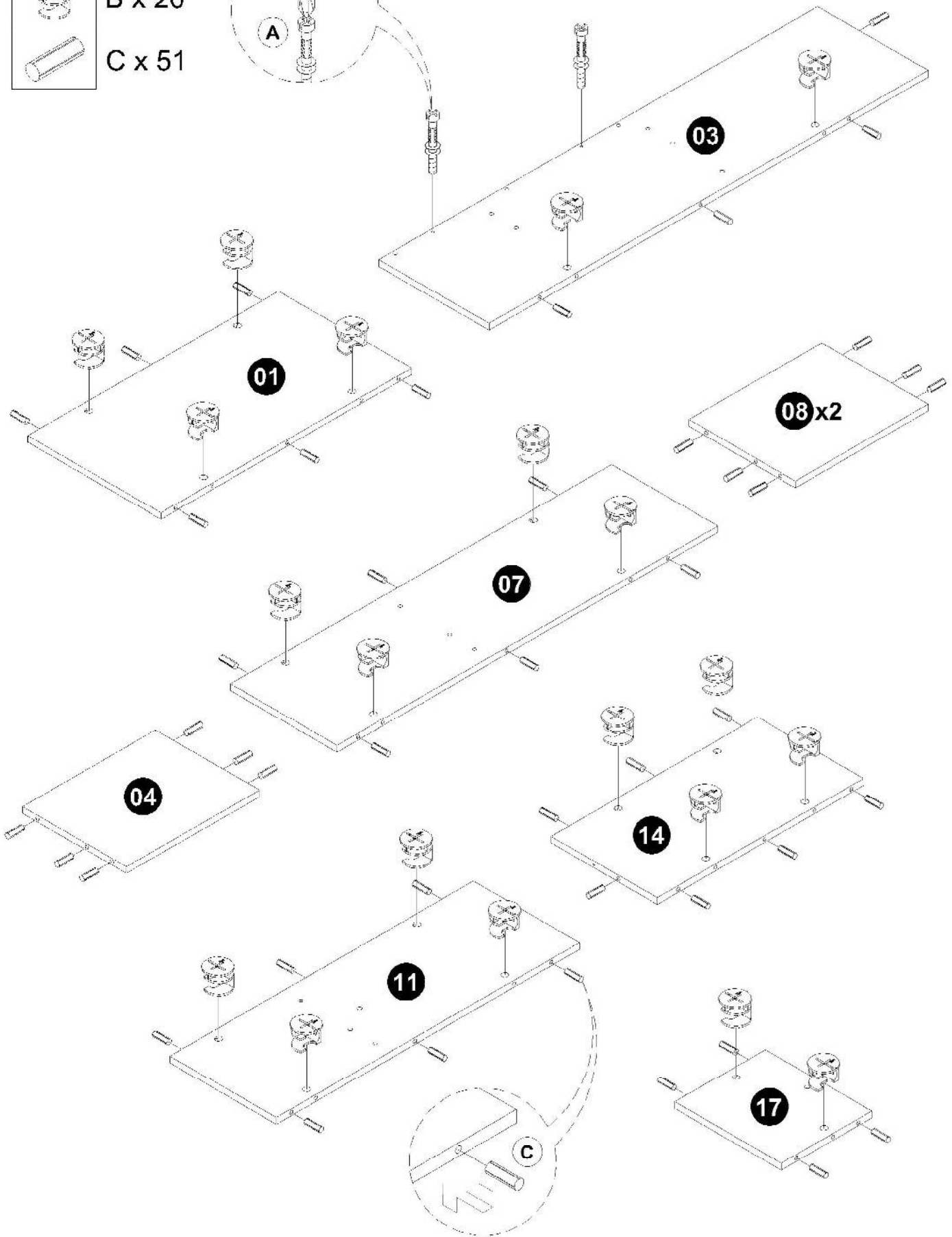
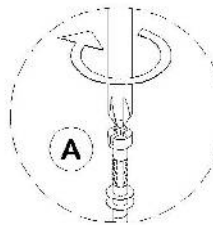
3



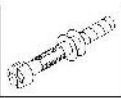
A x 2

B x 20

C x 51



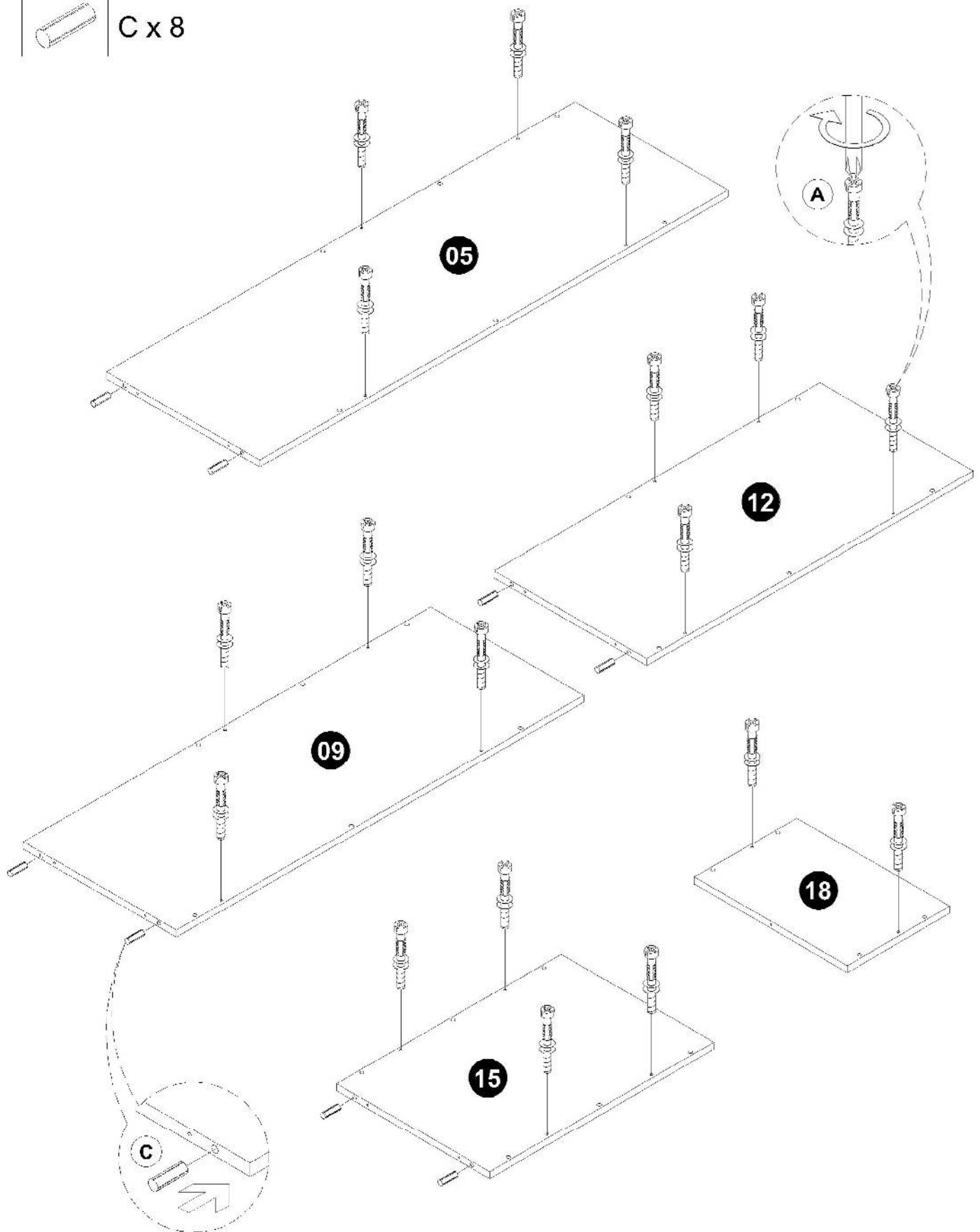
4



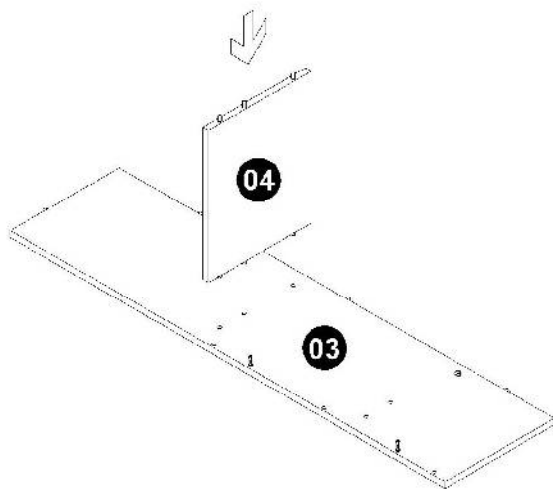
A x 18



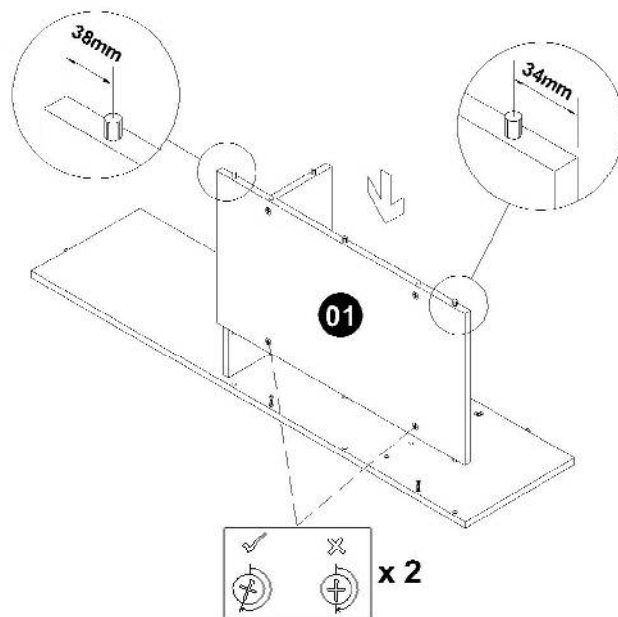
C x 8



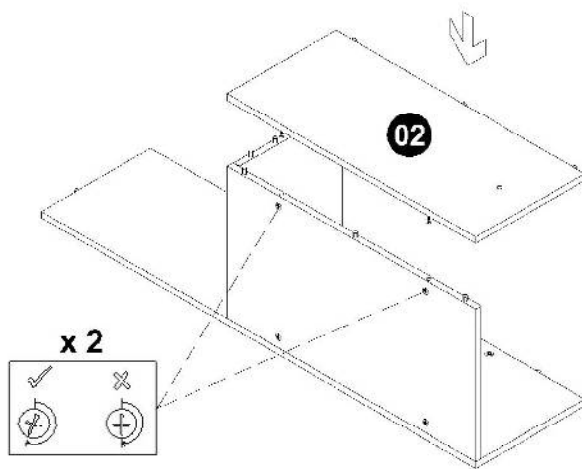
5



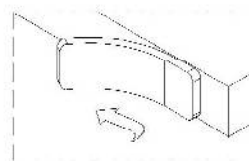
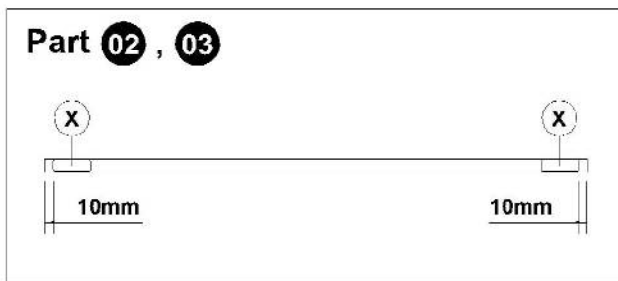
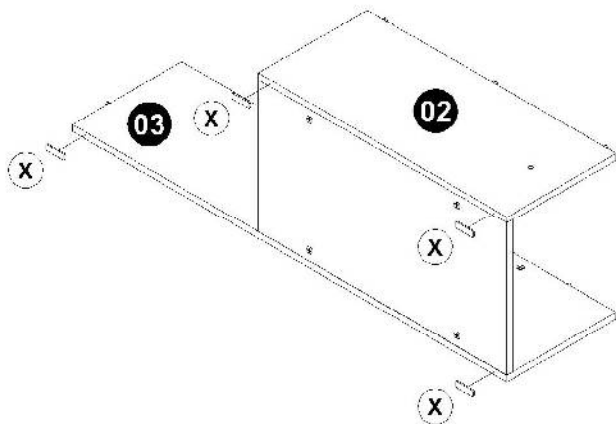
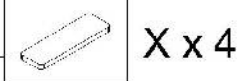
6



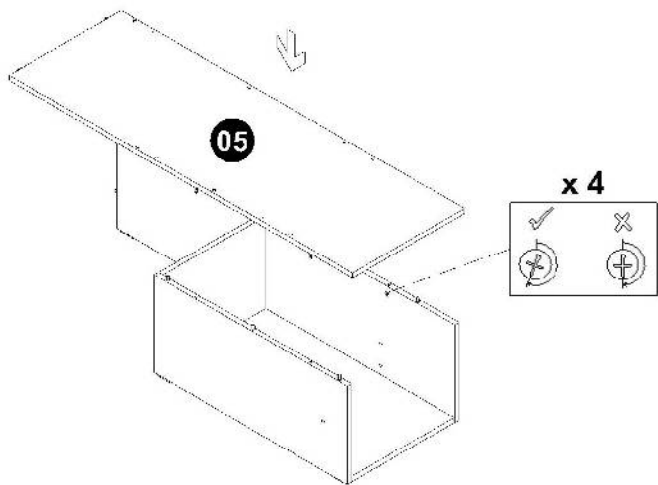
7



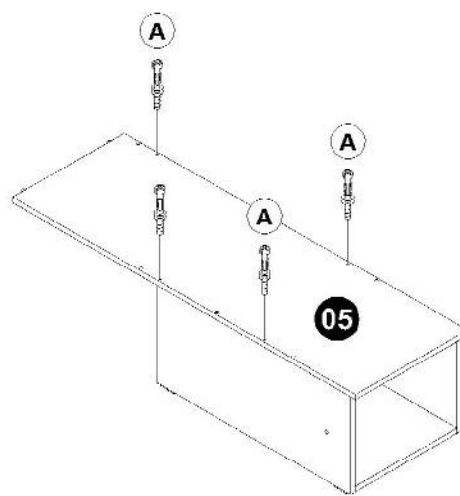
8



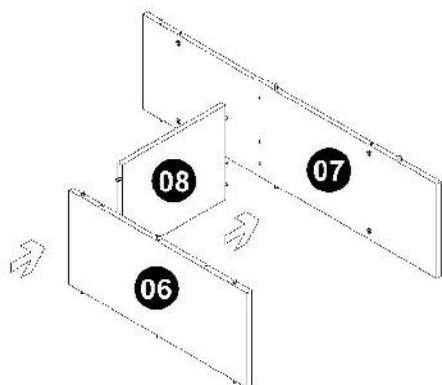
9



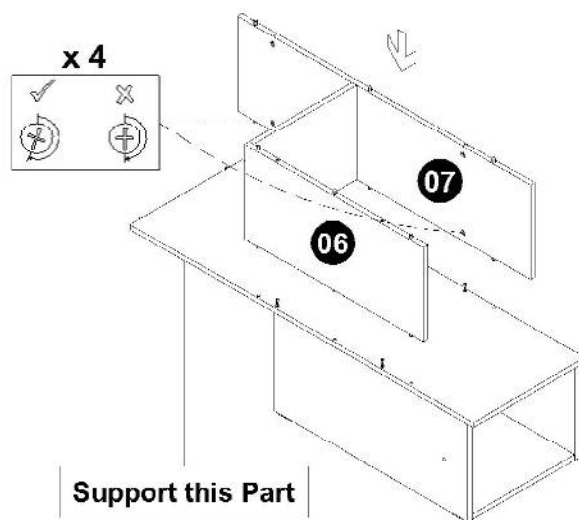
10



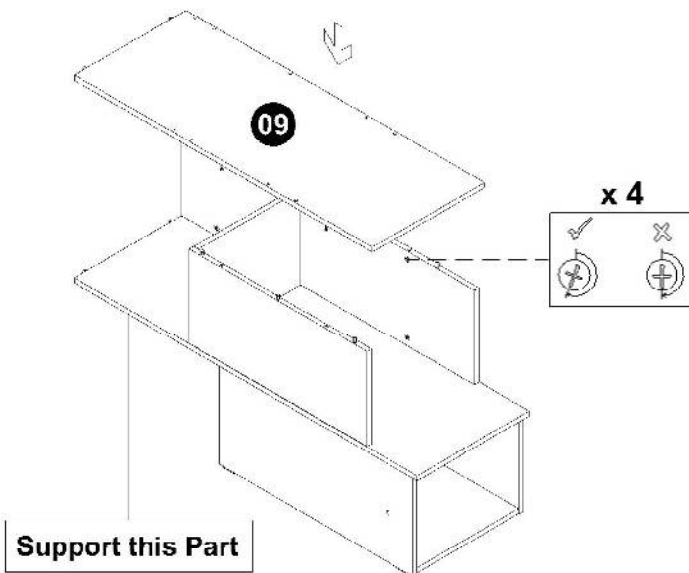
11

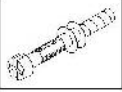


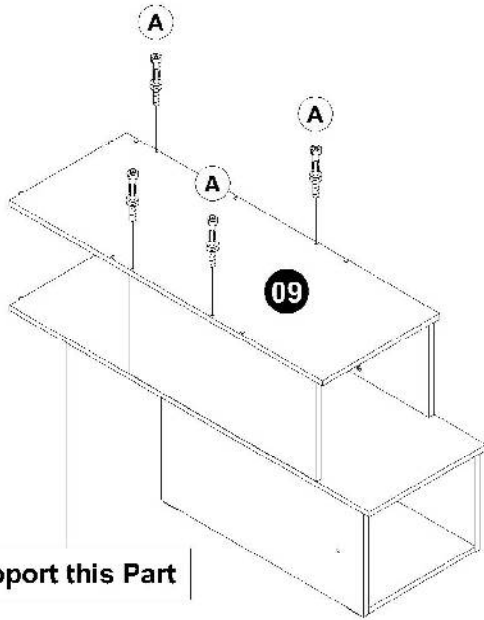
12



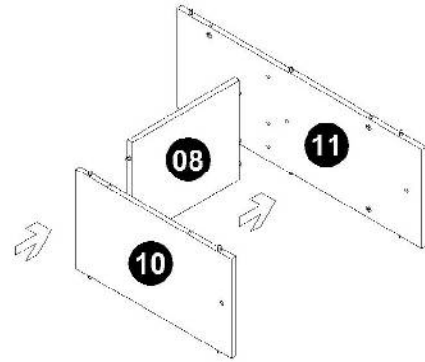
13



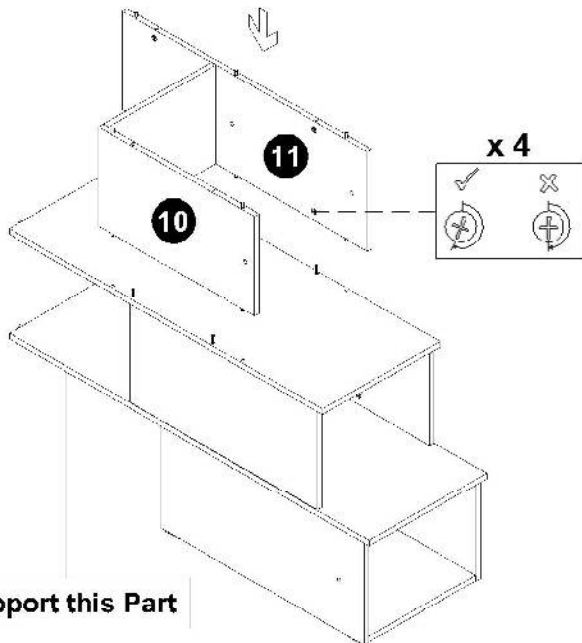
14  A x 4



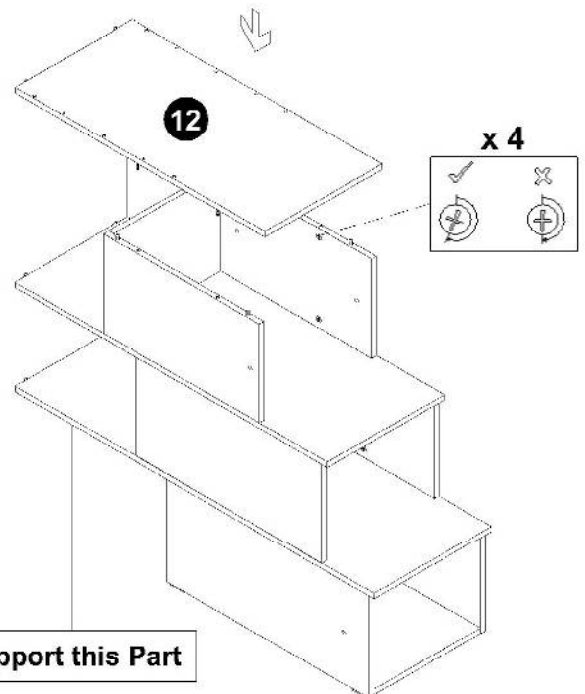
15

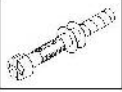


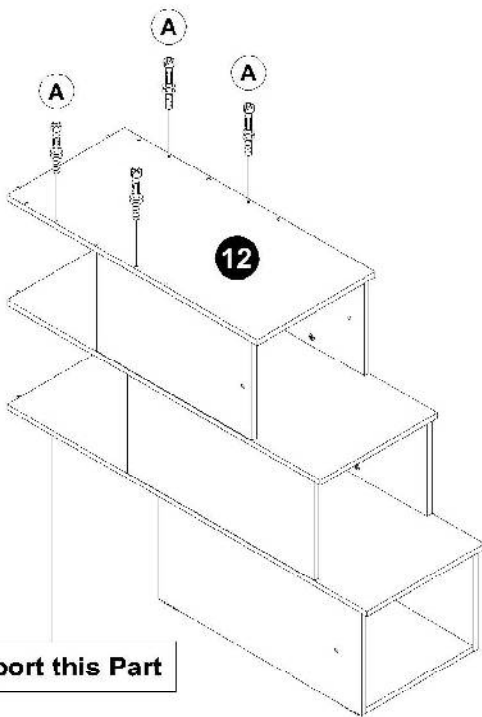
16



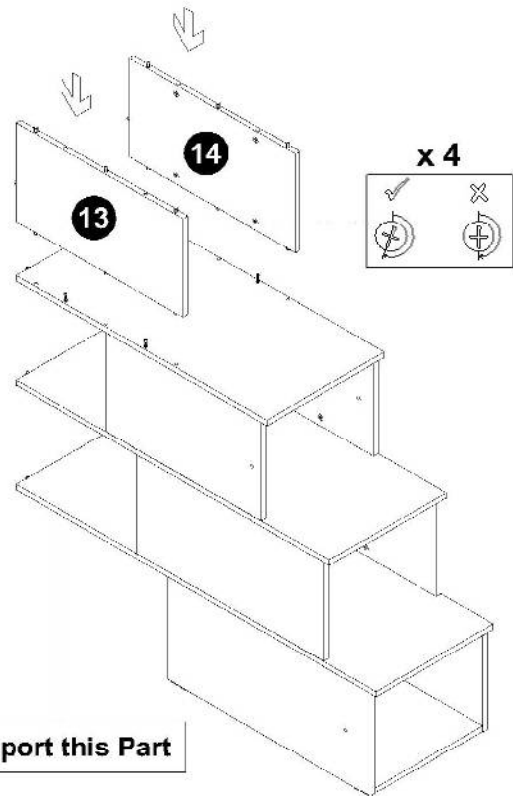
17



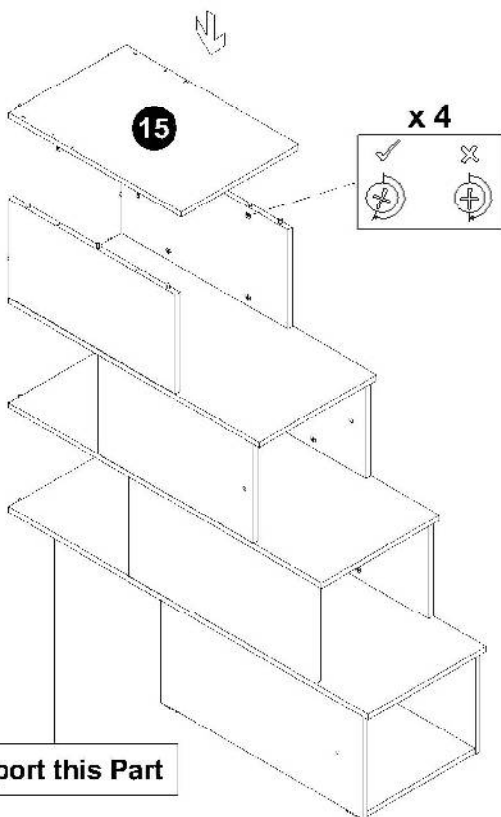
18  A x 4




19

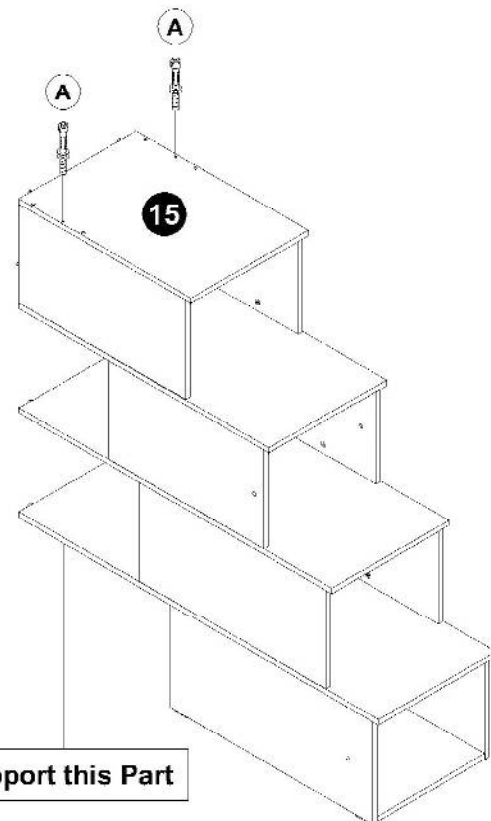


20

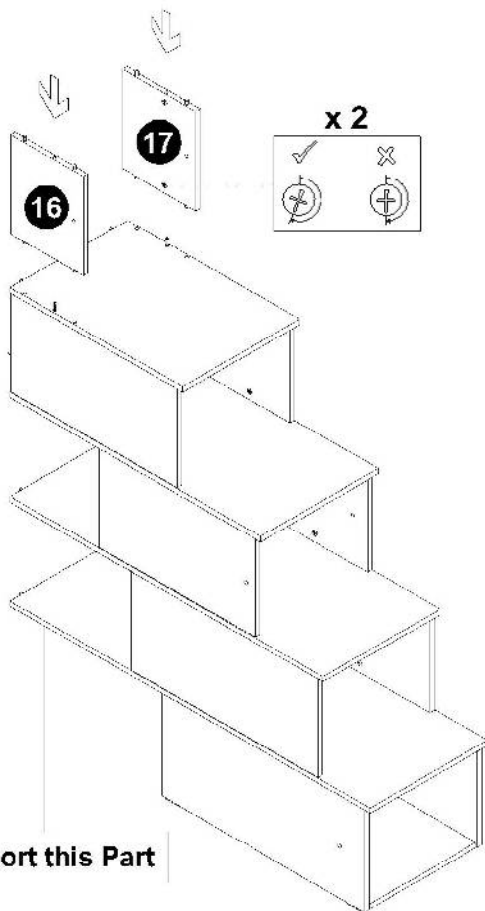


21

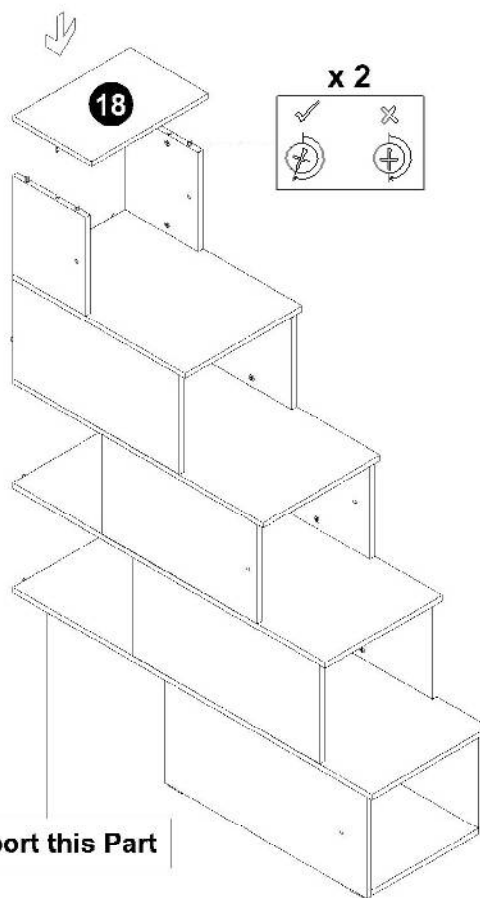
 A x 2



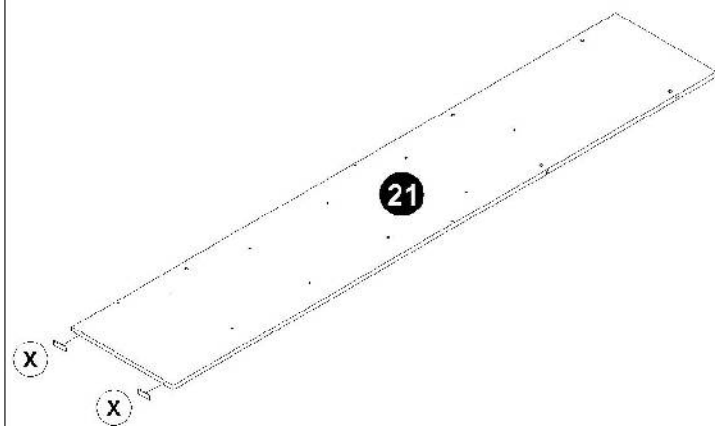
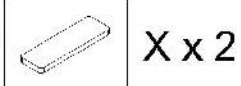
22



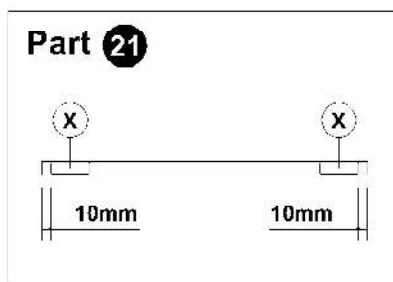
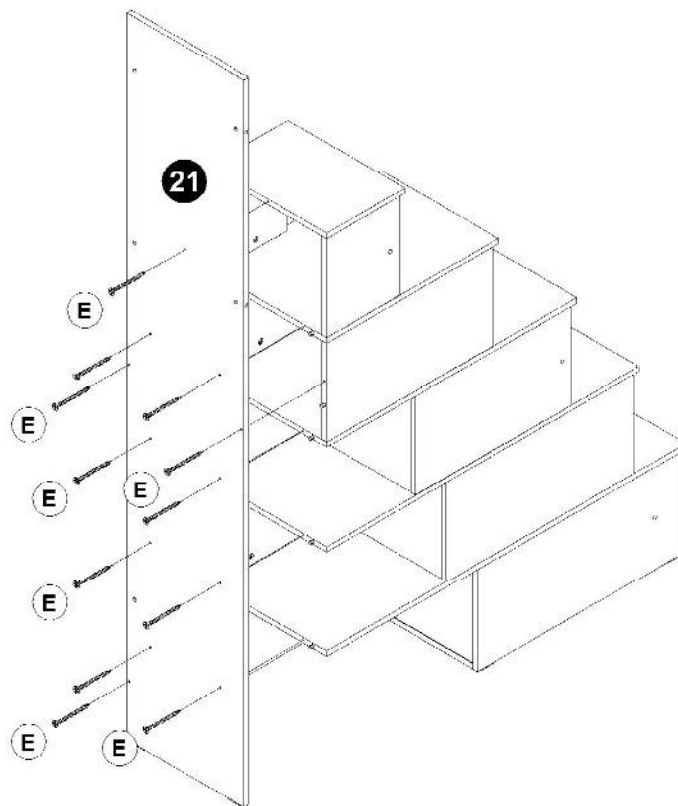
23



24

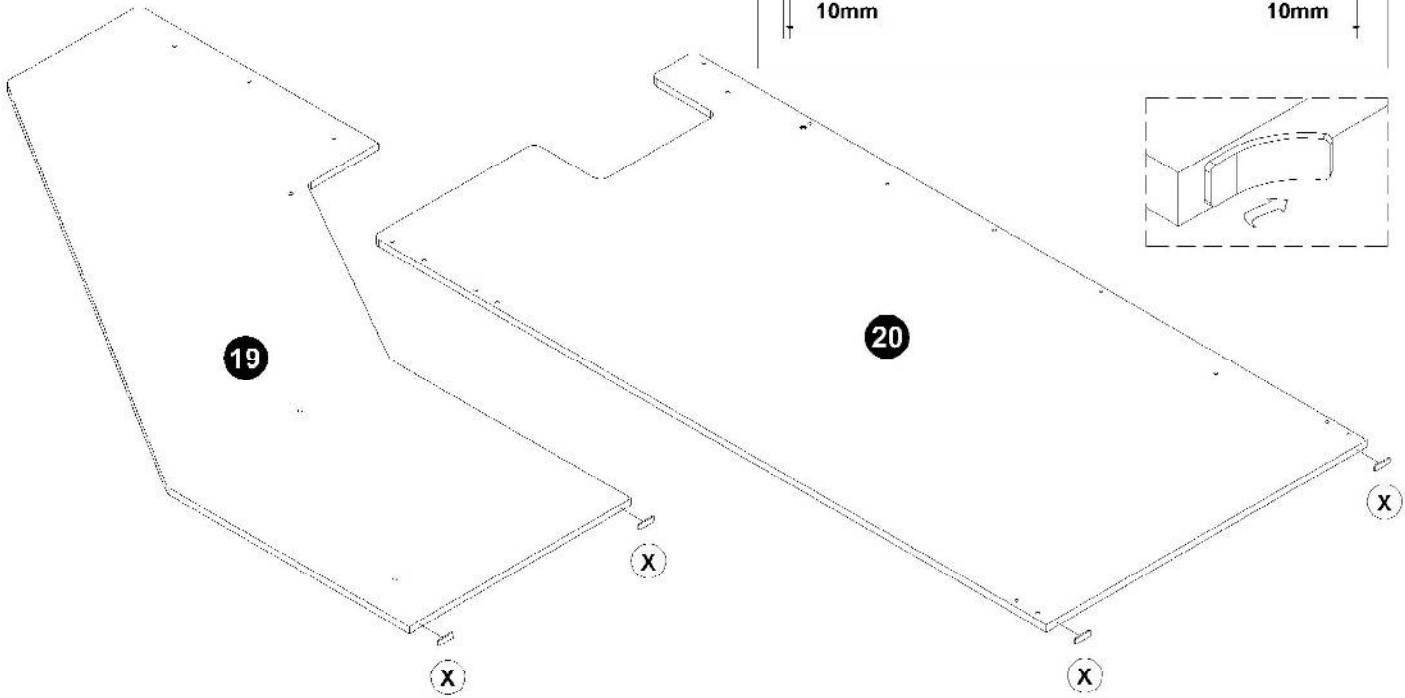


25

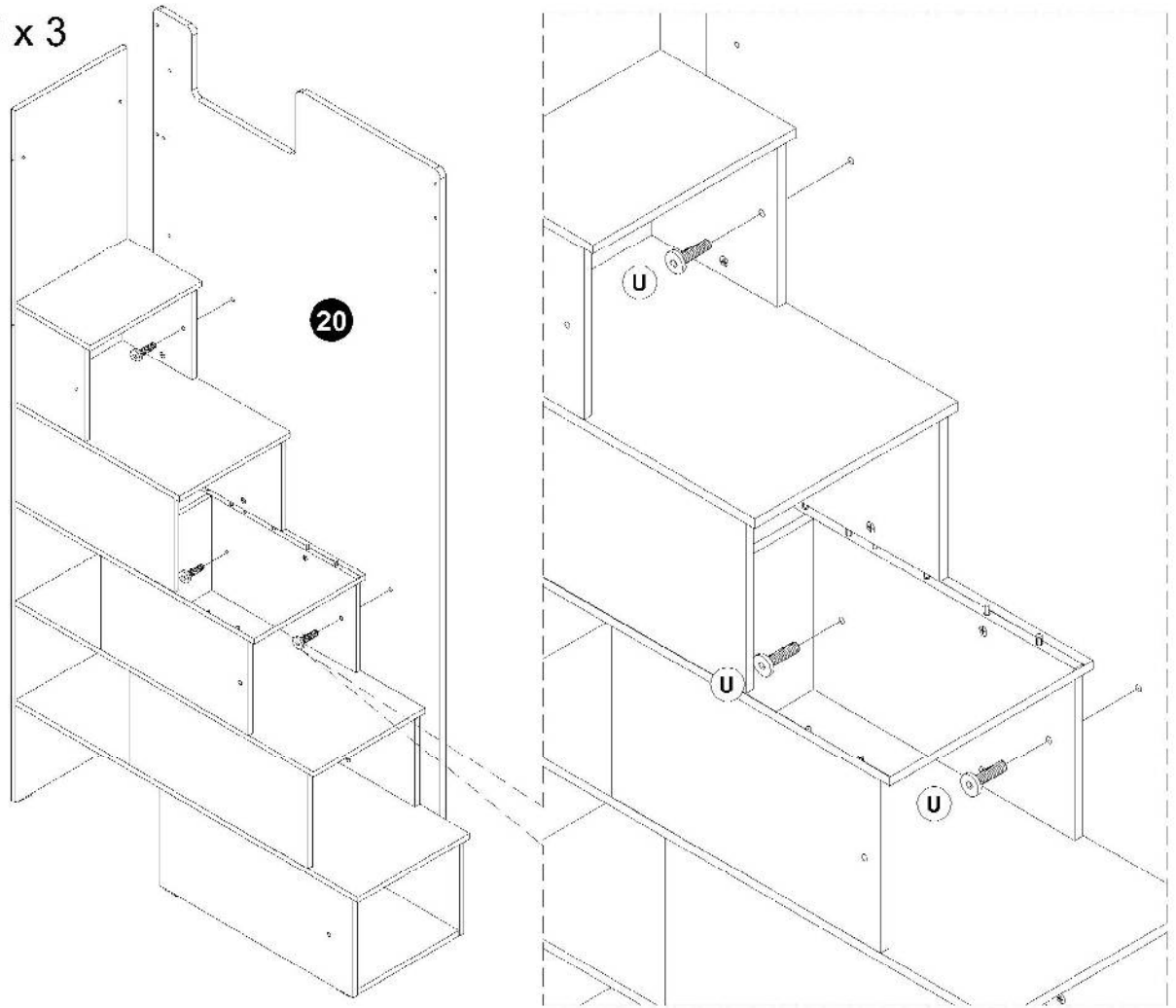


26  X x 4

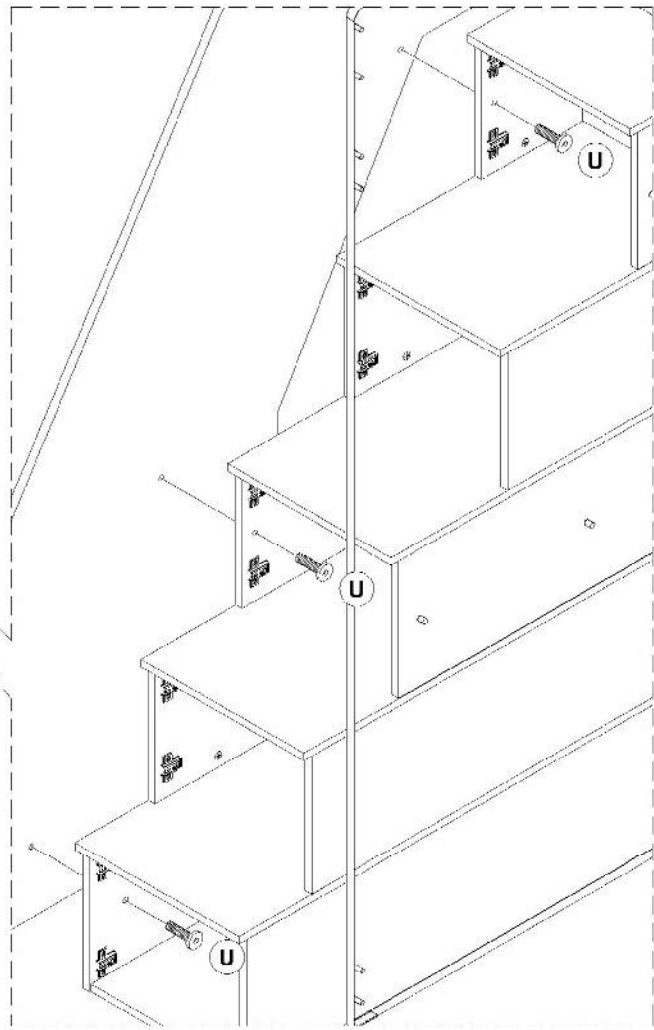
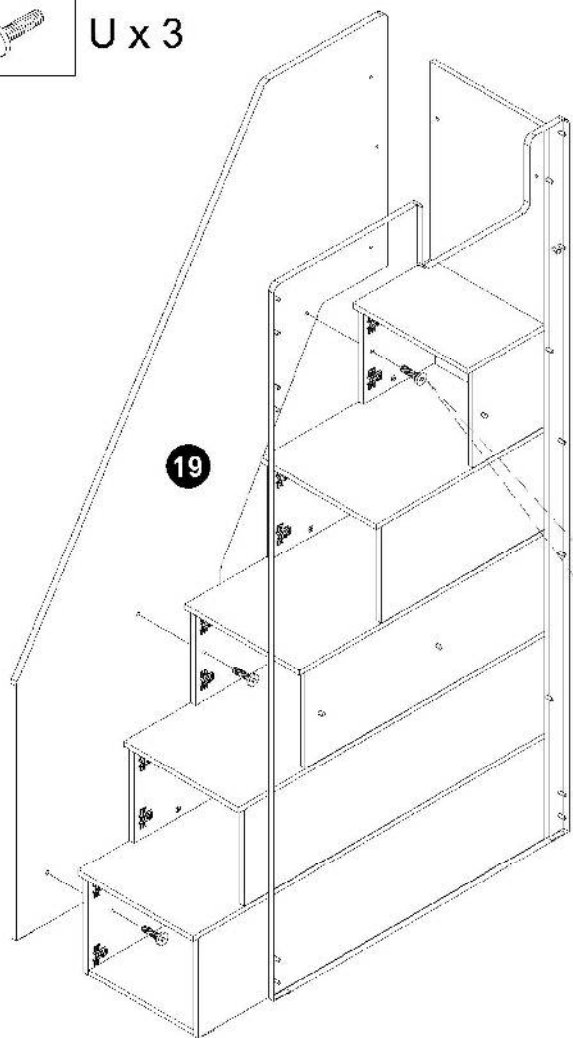
Part 19 . 20



27  U x 3



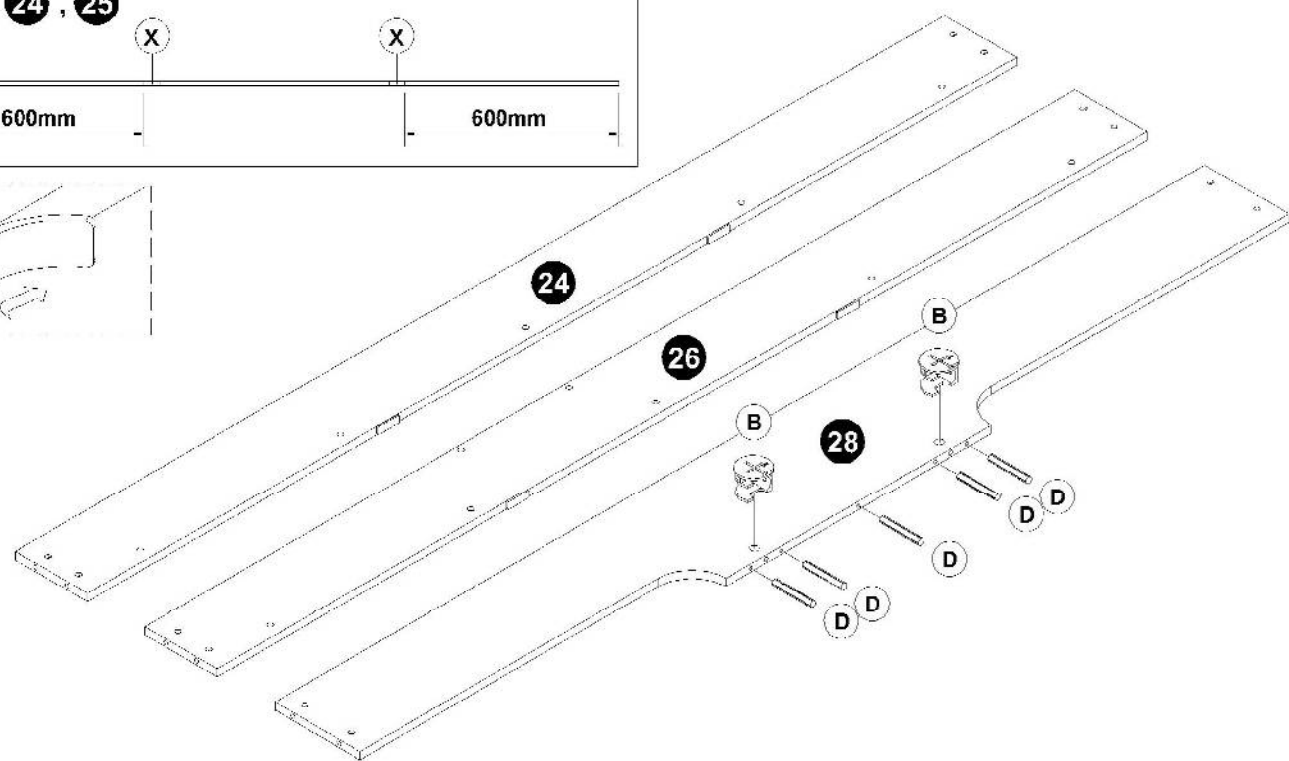
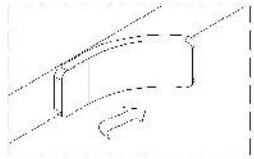
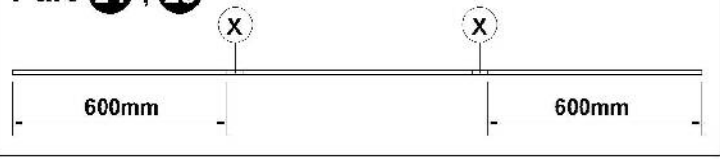
28 U x 3



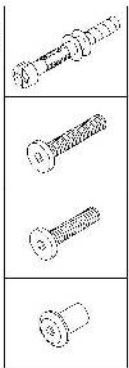
29 B x 2 D x 5 X x 4



Part 24, 25



30

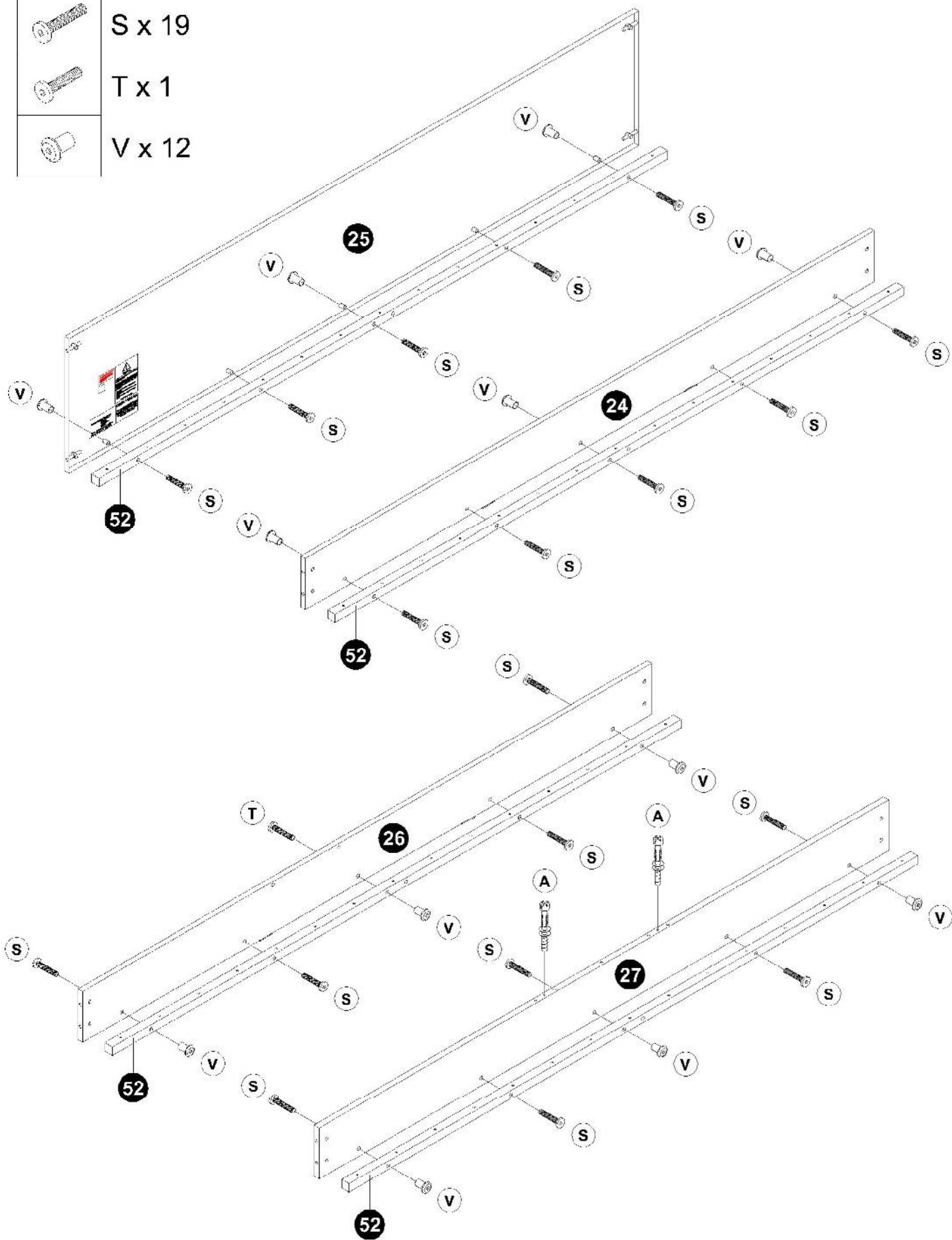


A x 2

S x 19

T x 1

V x 12



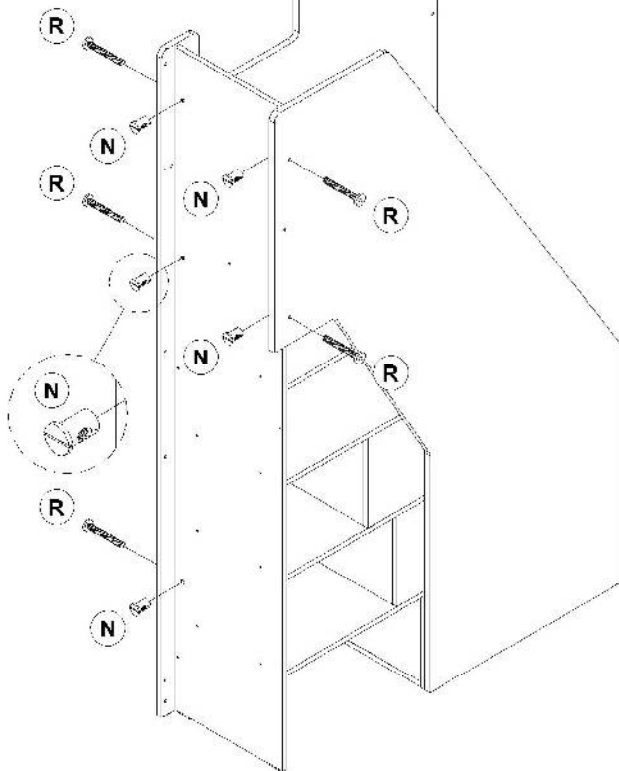
31



N x 5



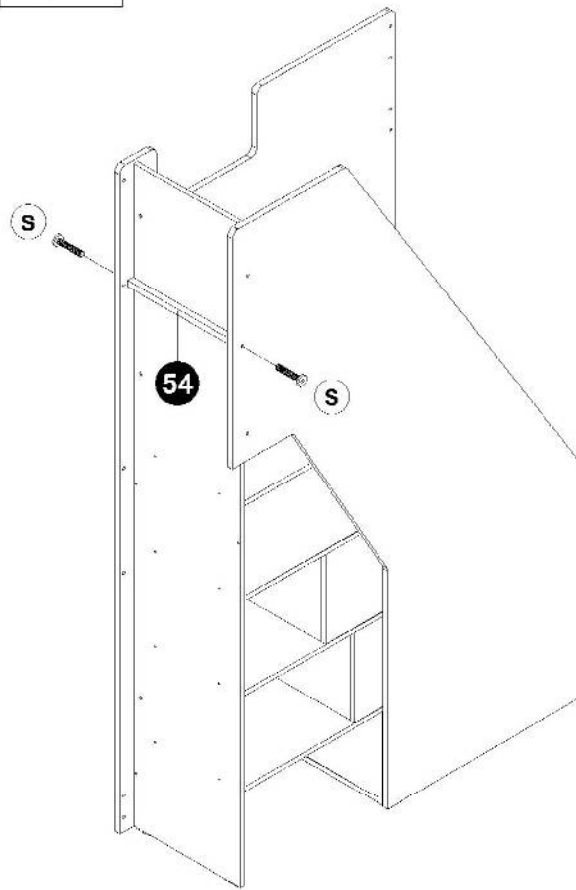
R x 5



32



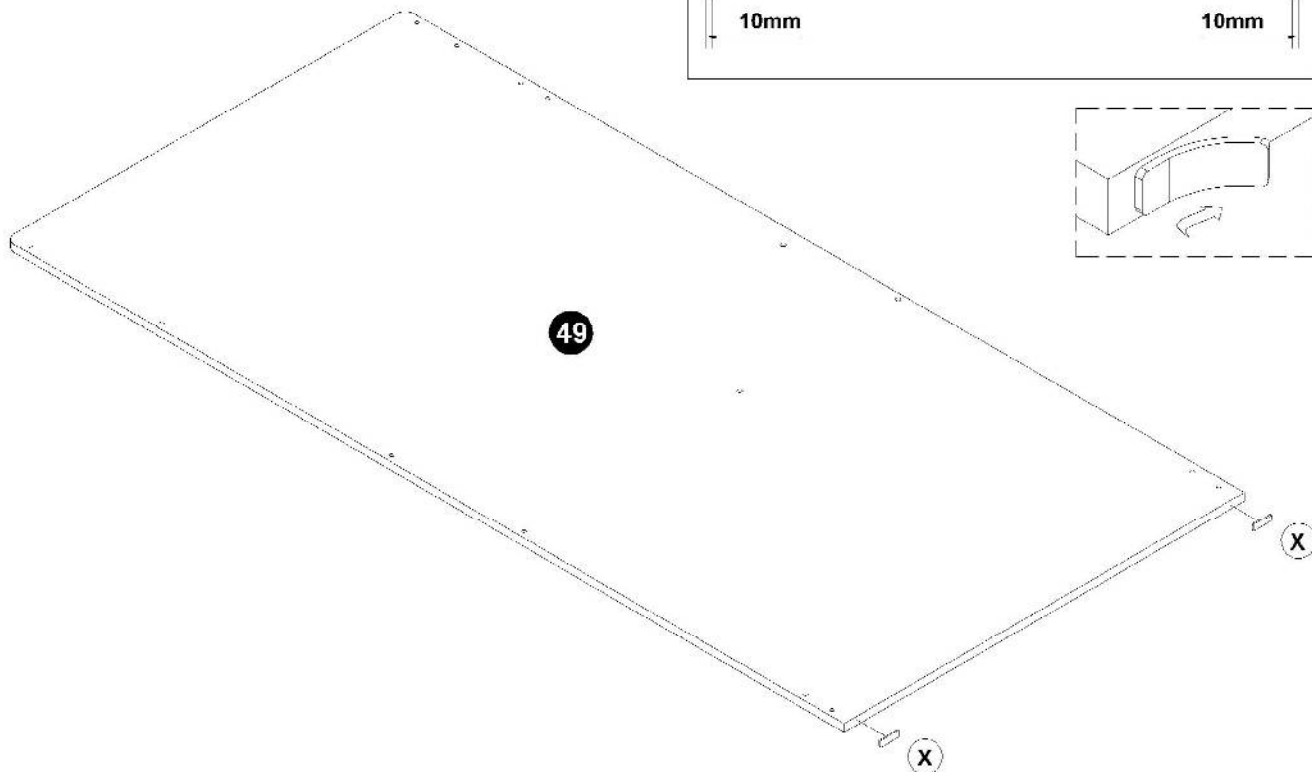
S x 2



33



X x 2



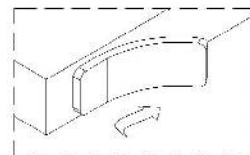
Part 49

X

10mm

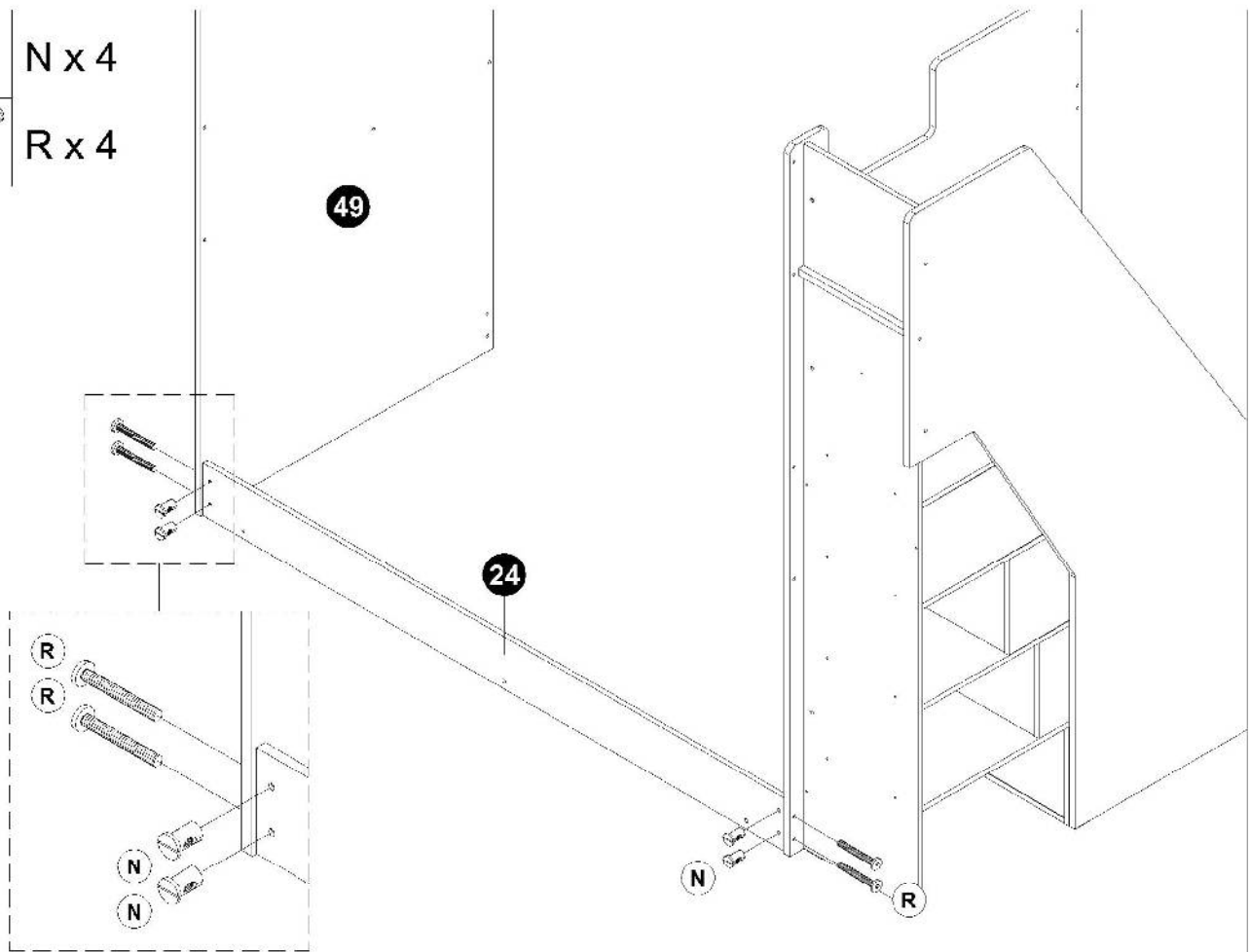
X

10mm



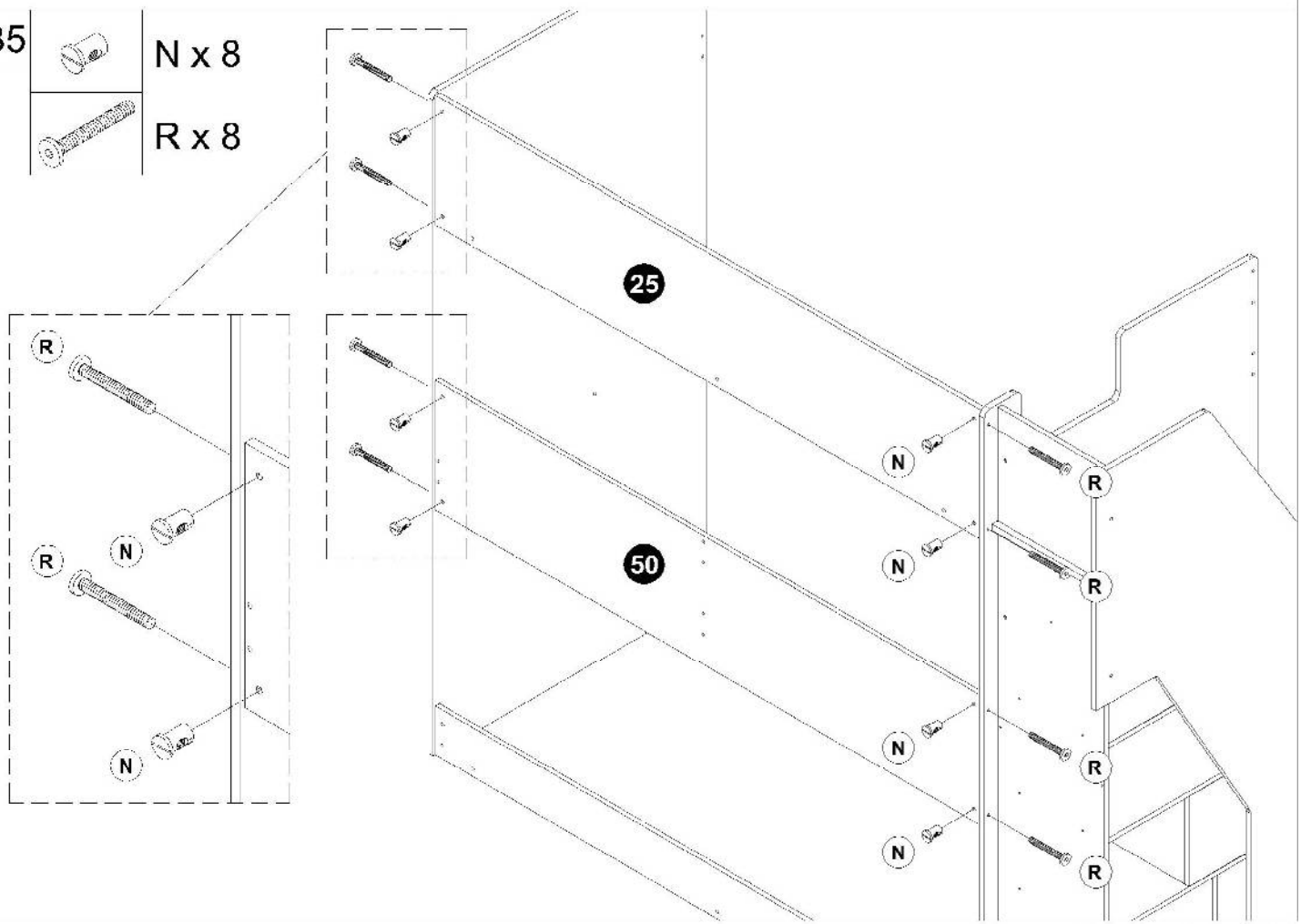
34




- N x 4
- R x 4

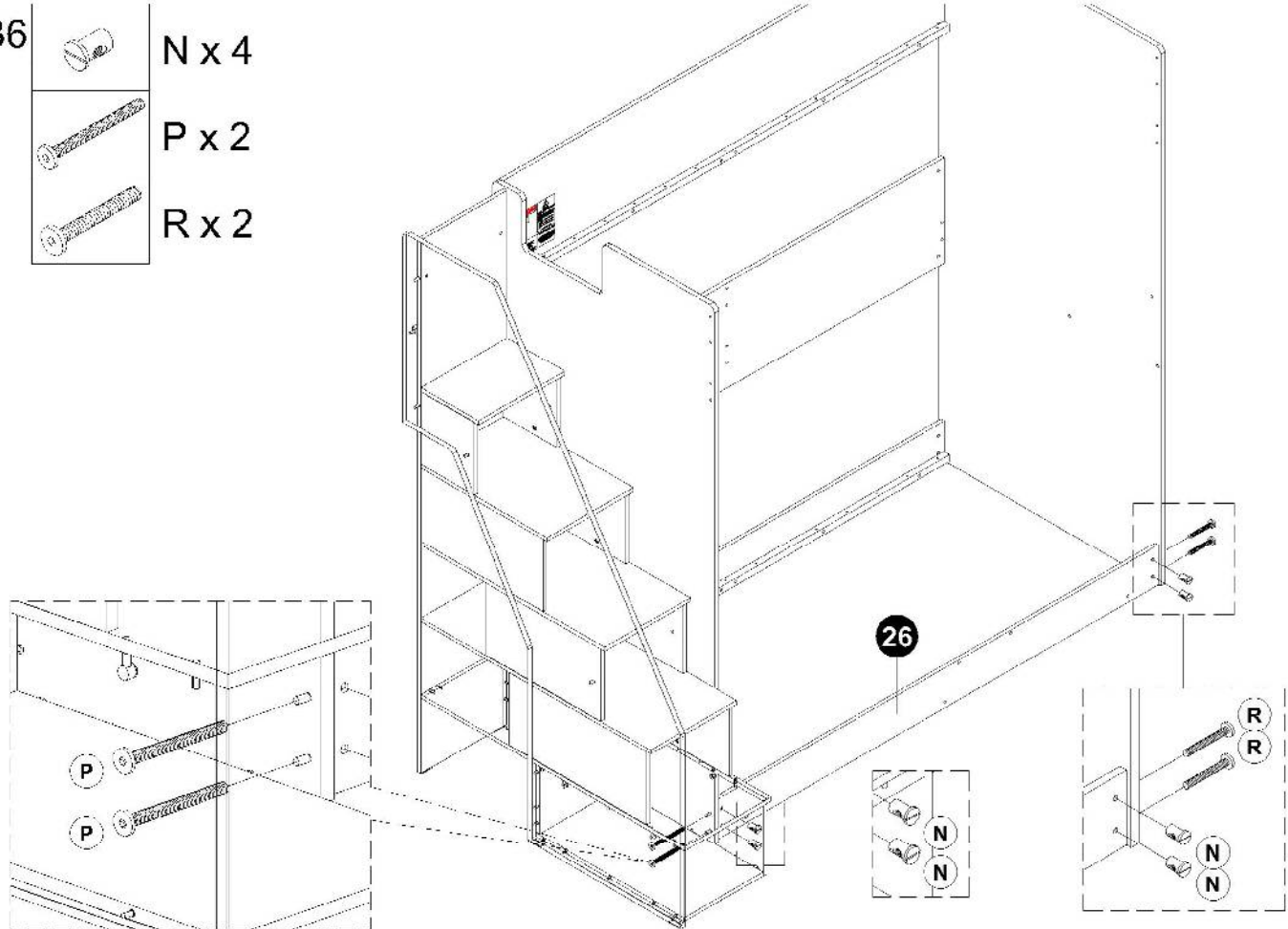



35

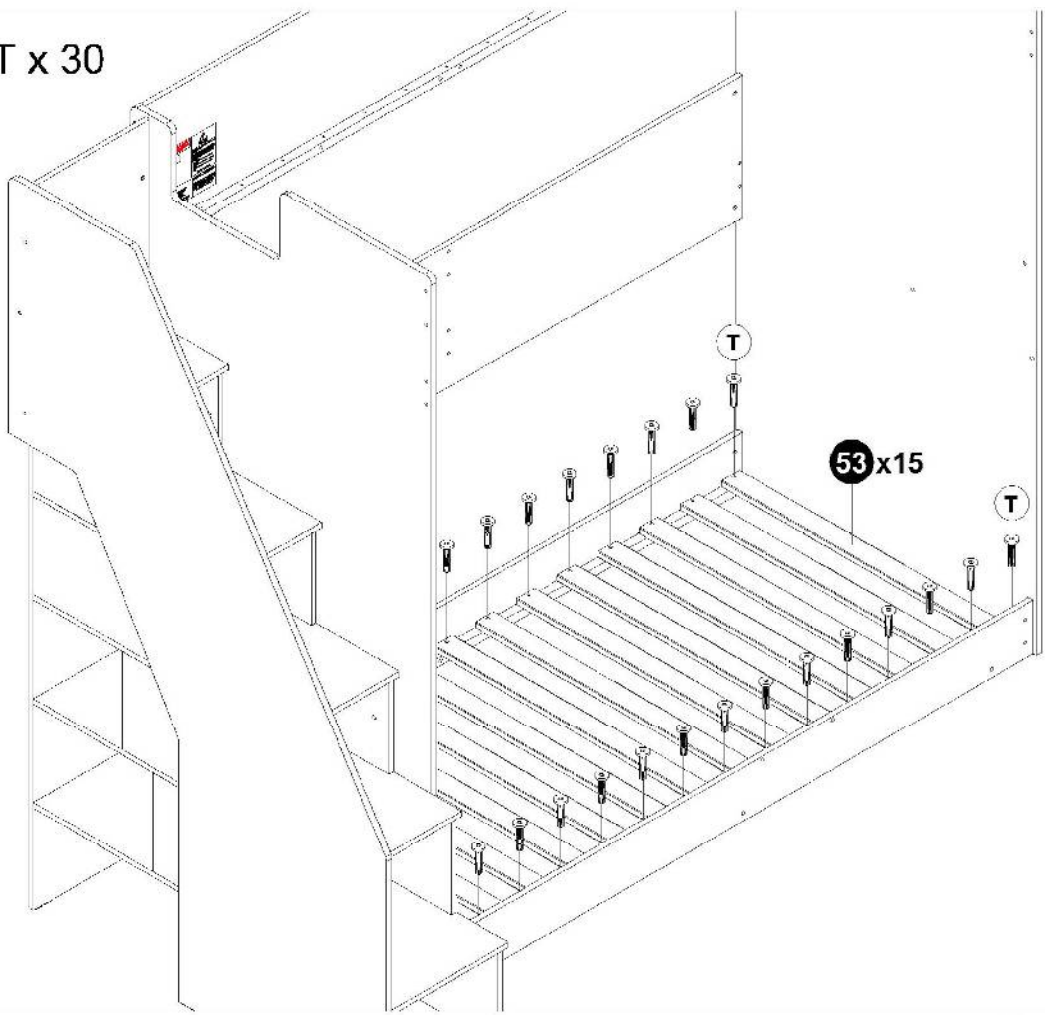
- N x 8
- R x 8



- 36
-  N x 4
 -  P x 2
 -  R x 2



- 37
-  T x 30



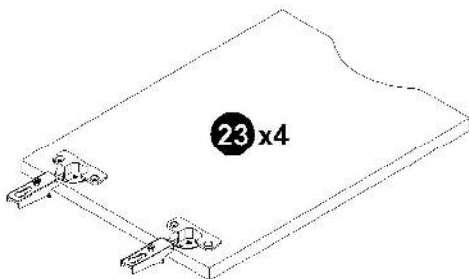
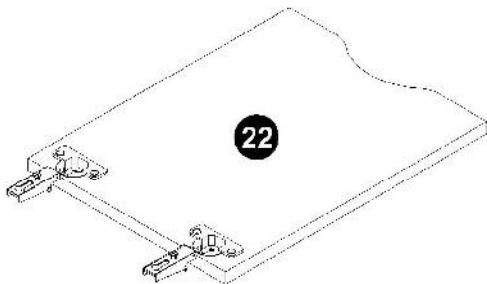
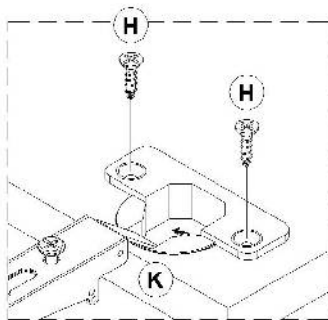
38



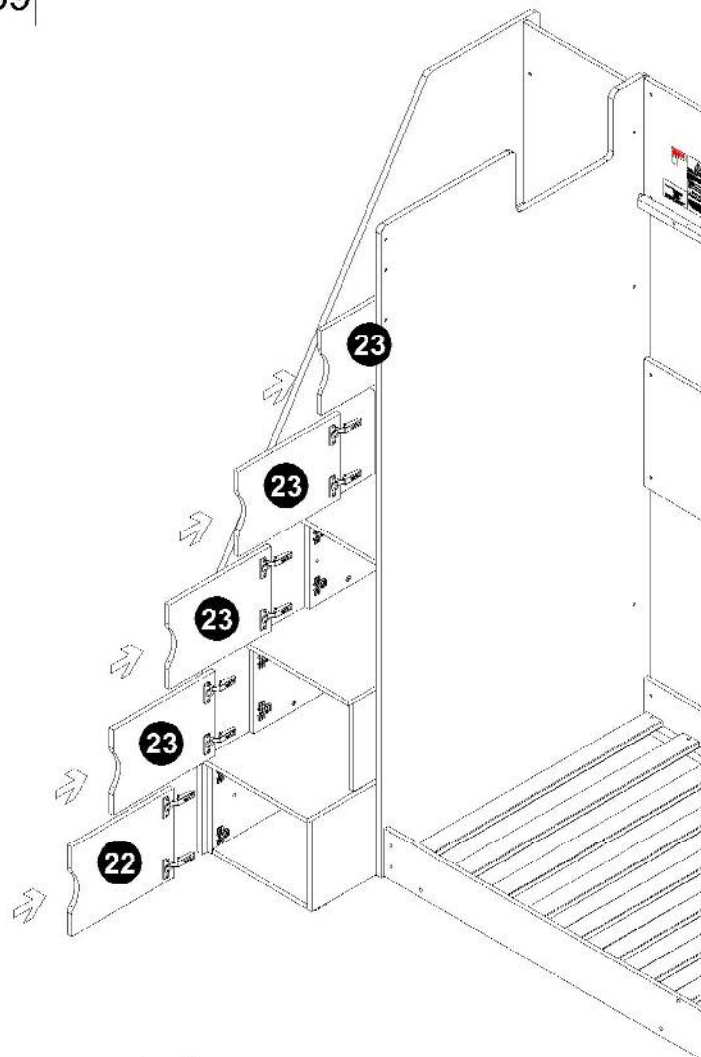
H x 20



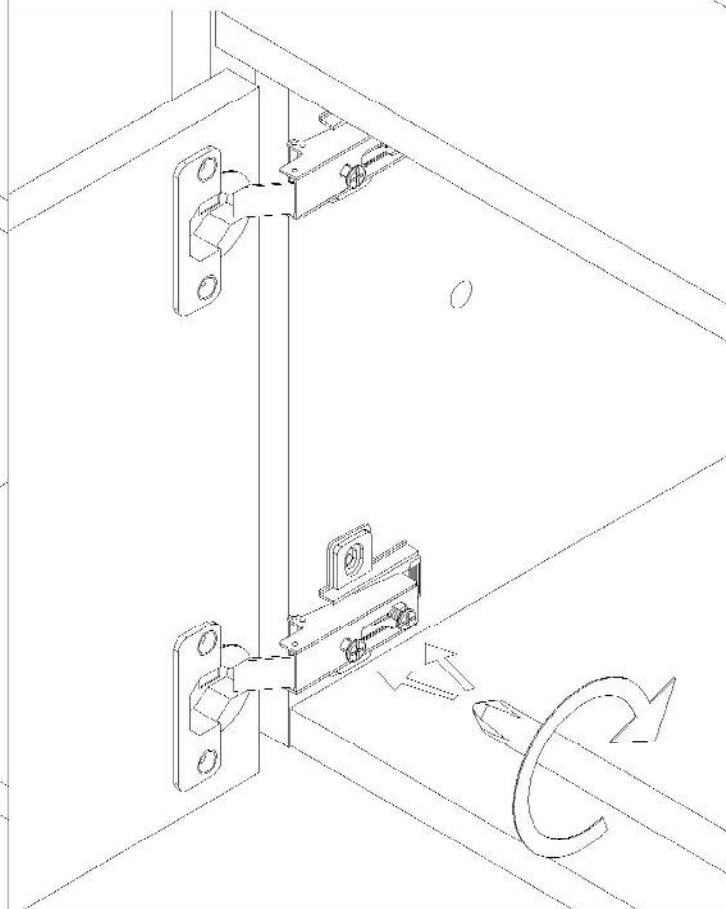
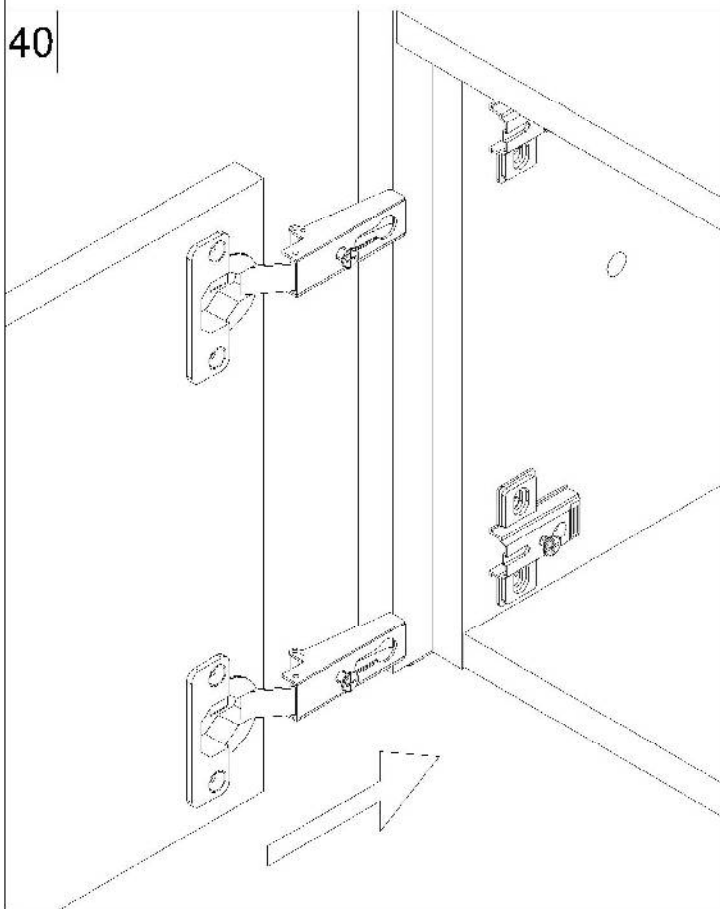
K x 10





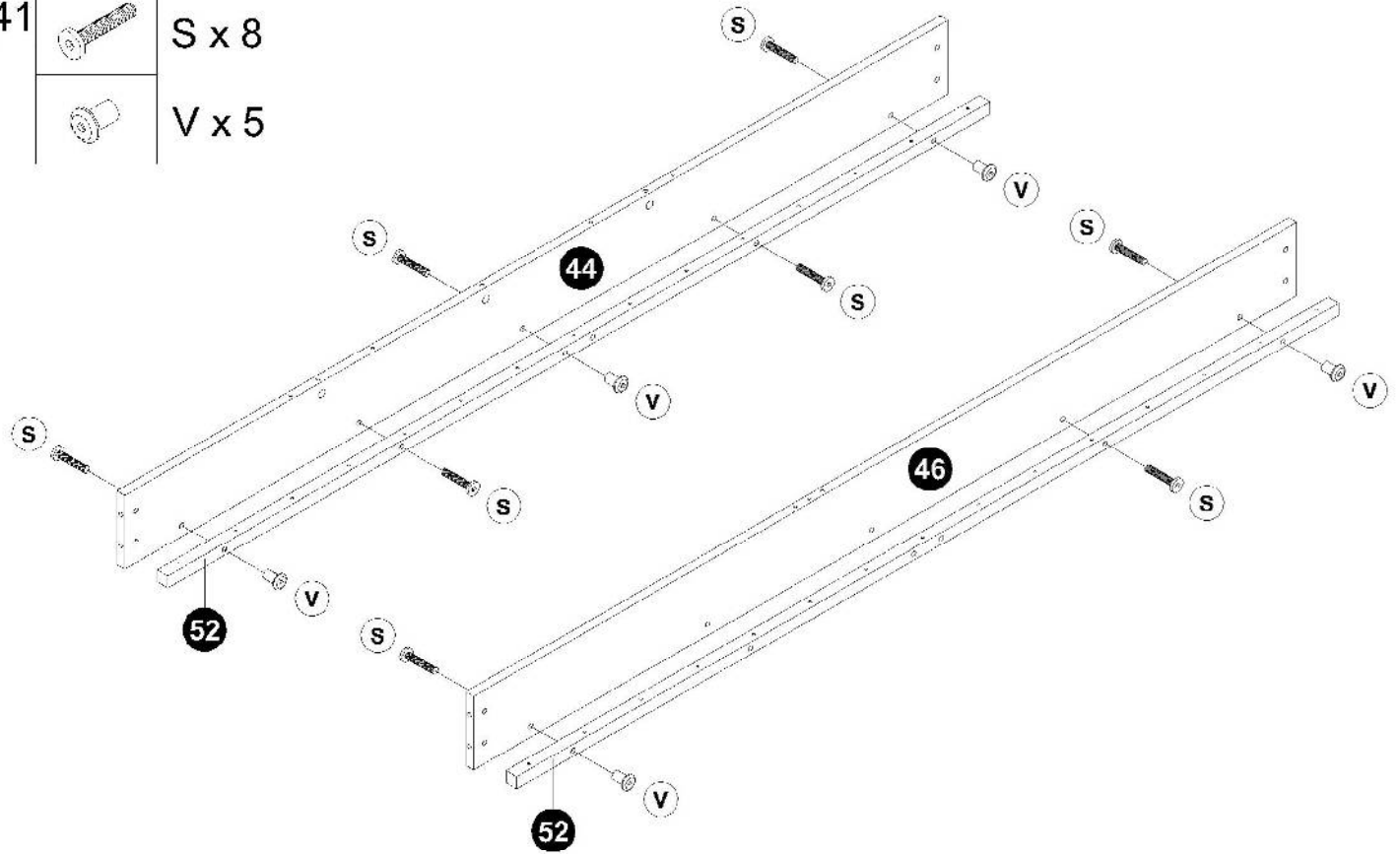
39

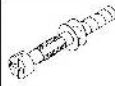




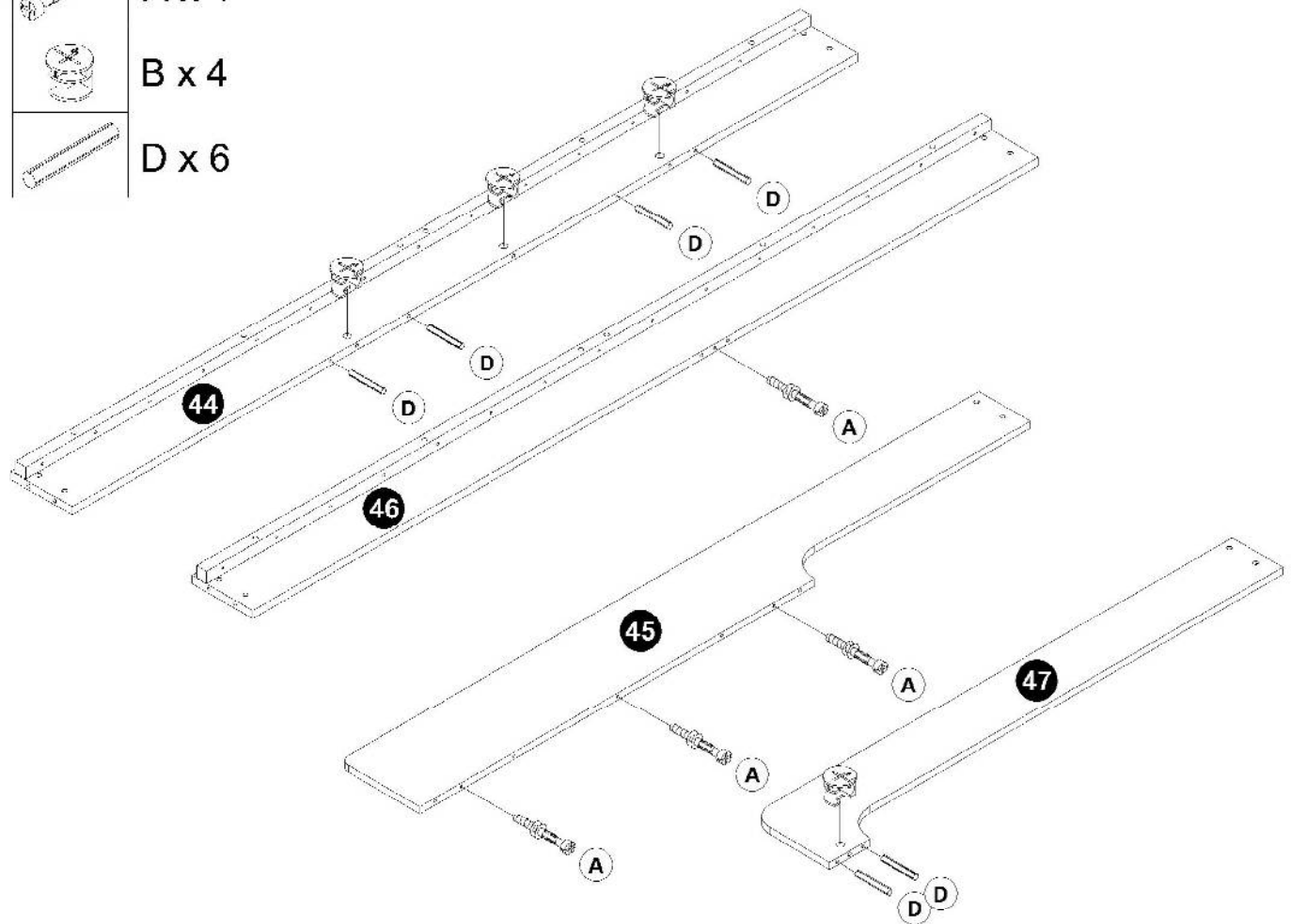
40



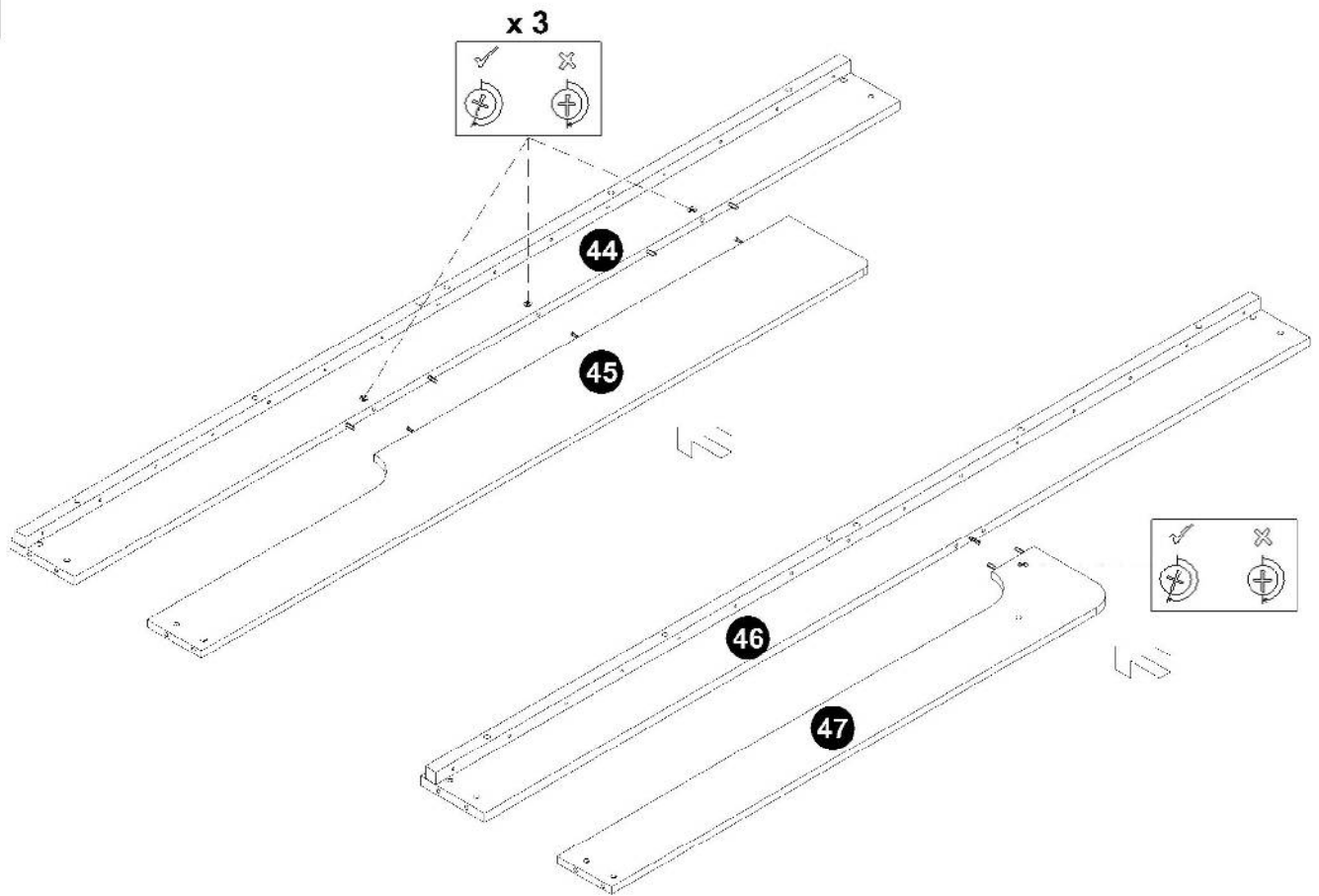
- 41
- | | |
|---|-------|
|  | S x 8 |
|  | V x 5 |



- 42
- | | |
|---|-------|
|  | A x 4 |
|  | B x 4 |
|  | D x 6 |



43



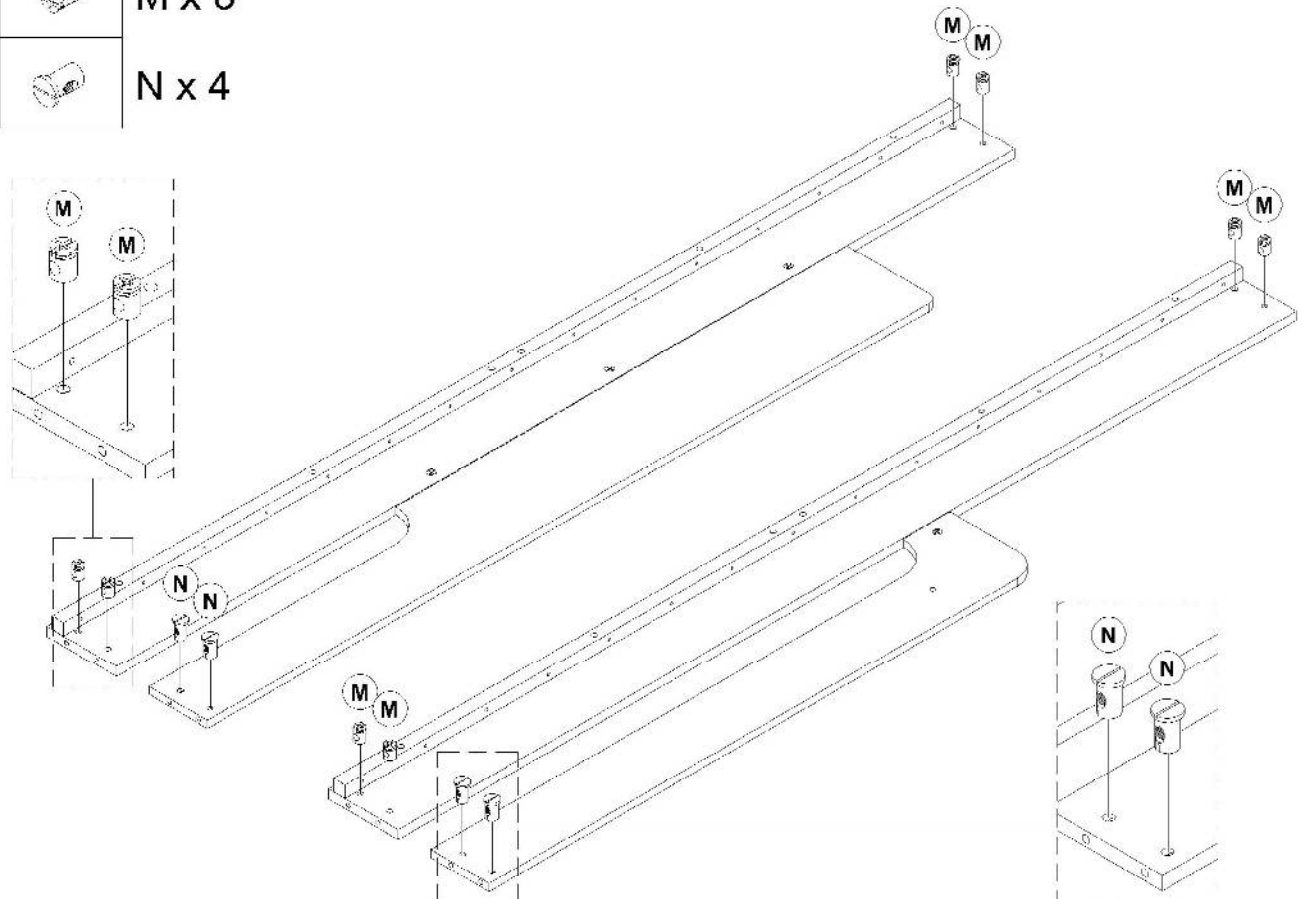
44




M x 8

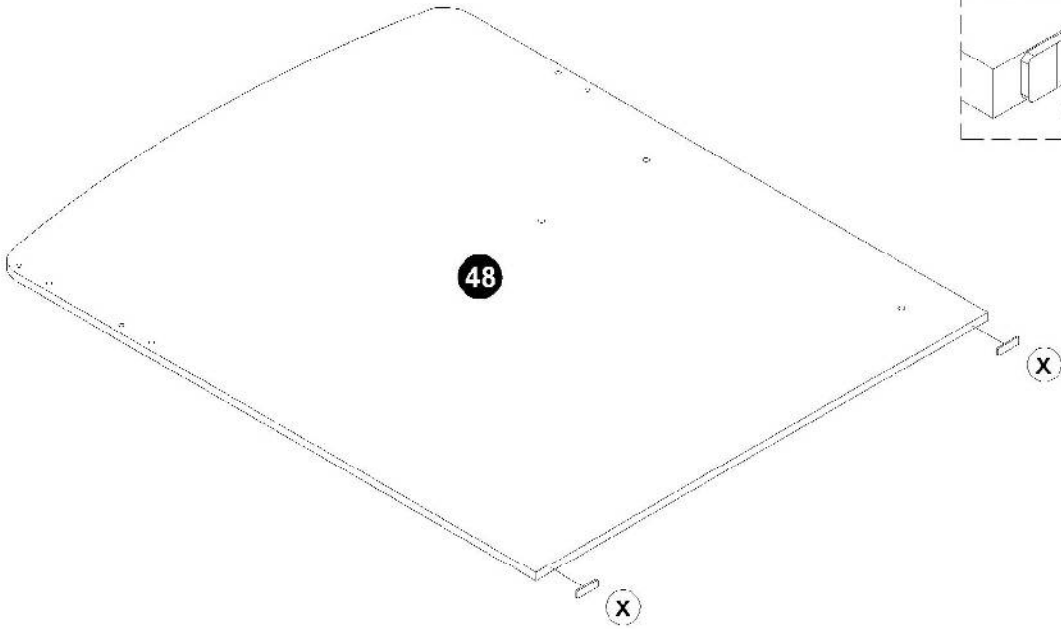
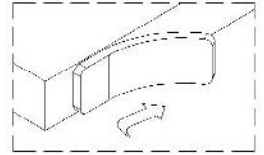
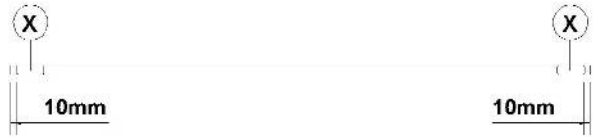



N x 4

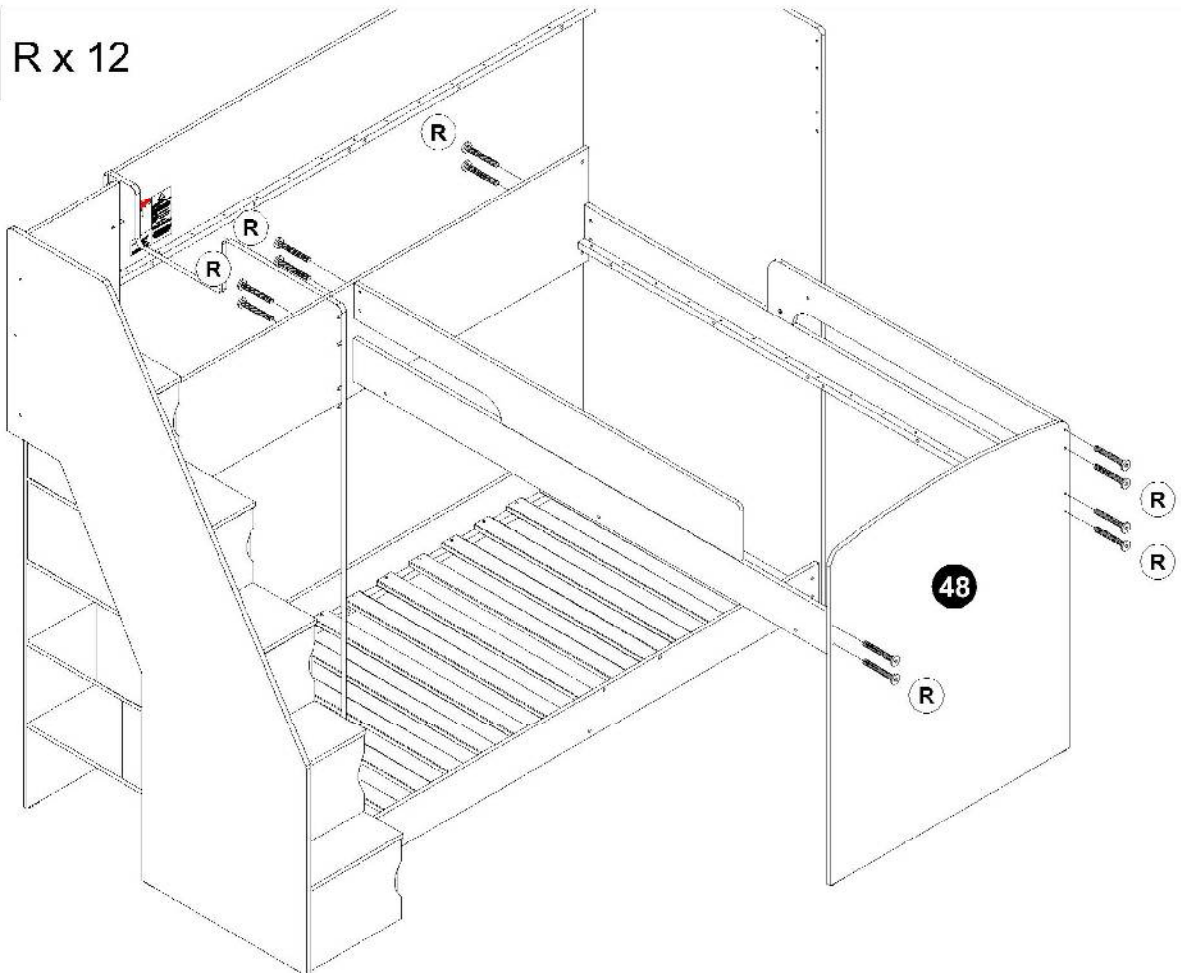


45  X x 2

Part 49



46  R x 12



47



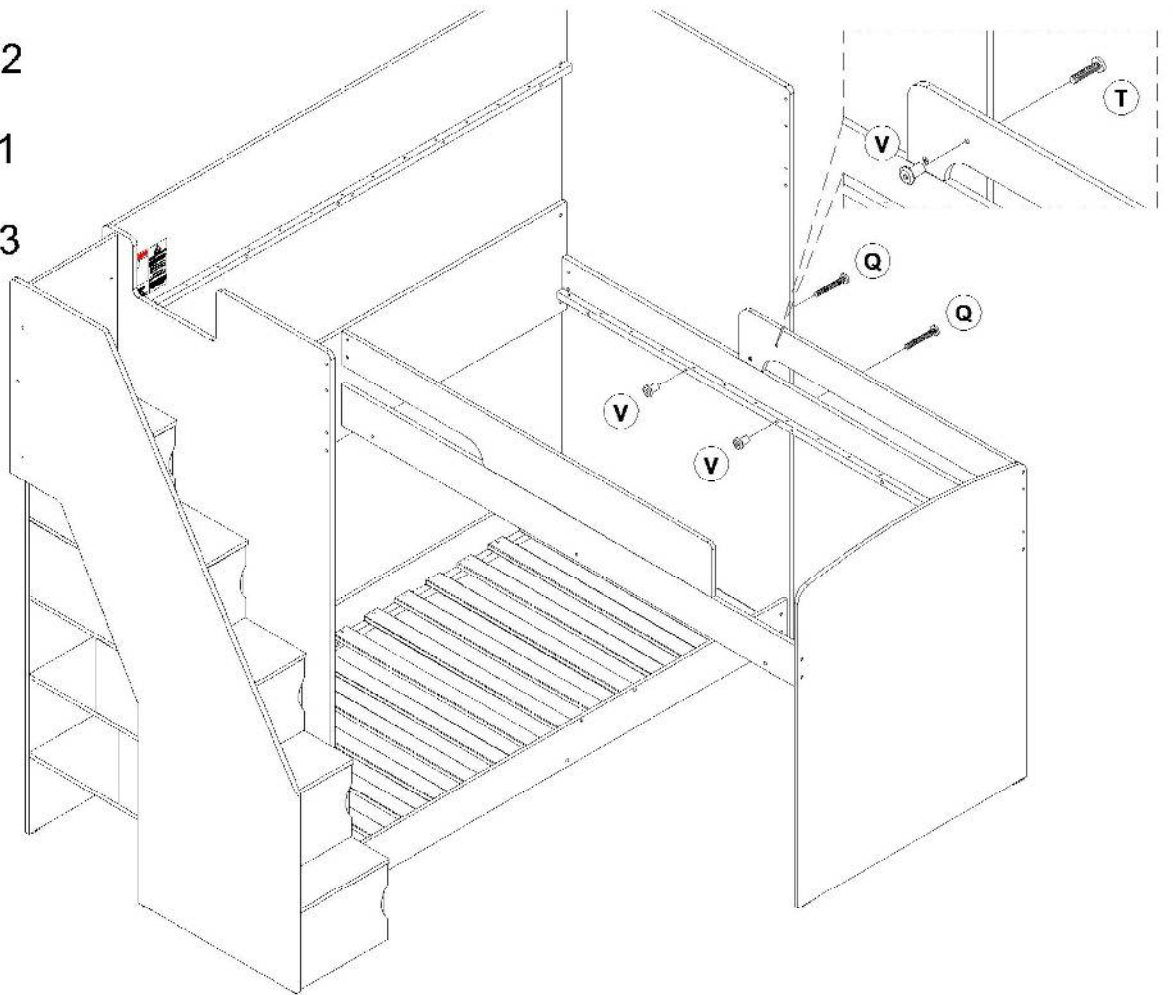
Q x 2



T x 1



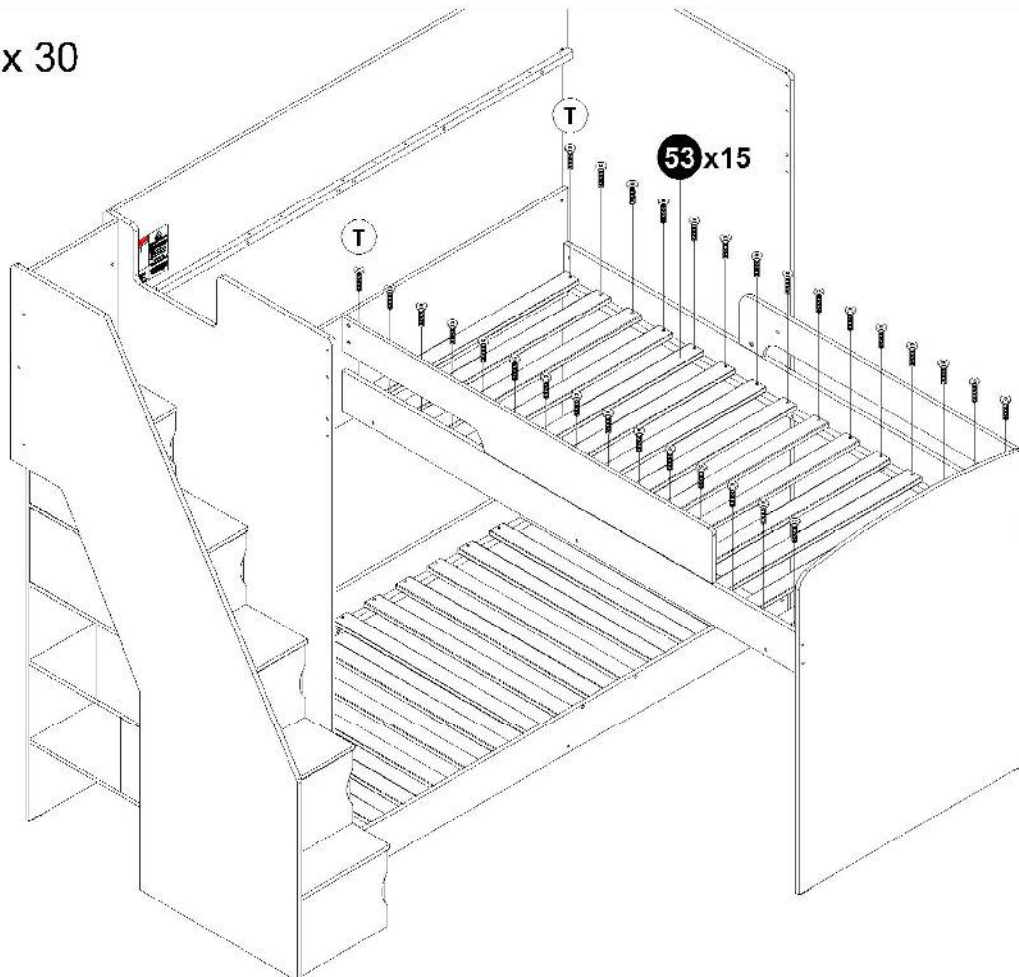
V x 3



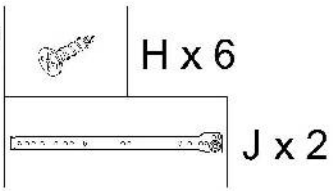
48



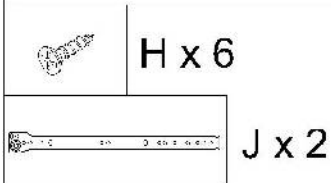
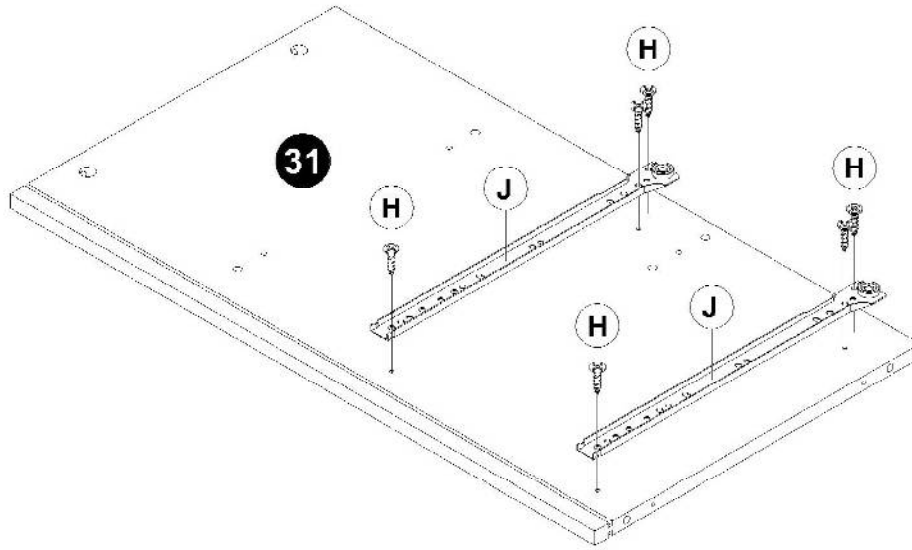
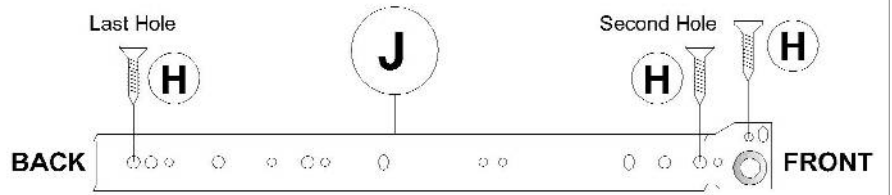
T x 30



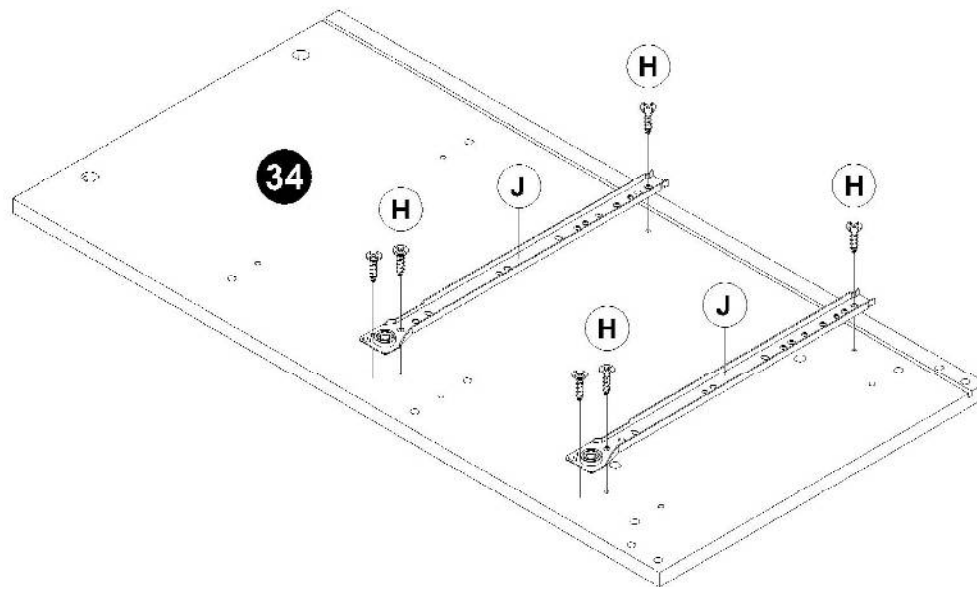
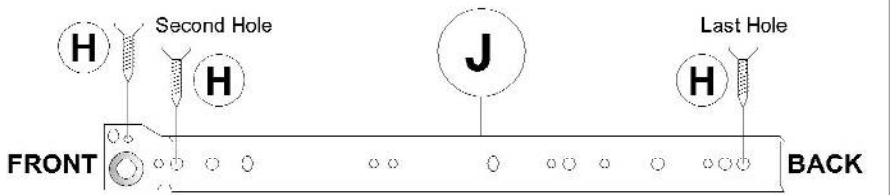
49



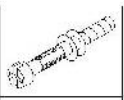
To Assembly the Drawer Slide, Please Follow Step as Below



To Assembly the Drawer Slide, Please Follow Step as Below



50



A x 16



B x 16



C x 32

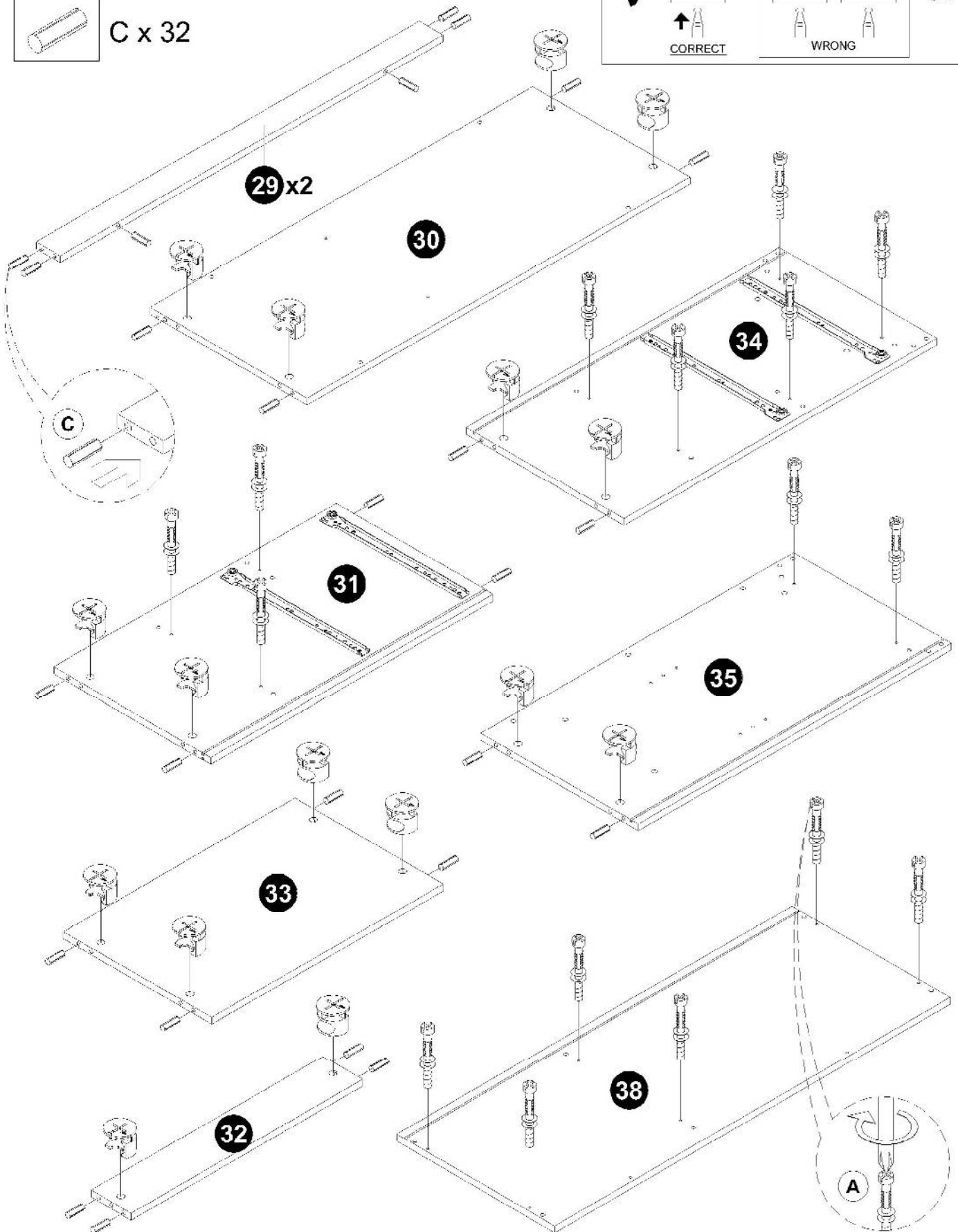
WHEN FITTING CAMS

ENSURE STARTING POSITION IS CORRECT
BEFORE YOU INSERT CONNECTING BOLT
TURN CLOCKWISE UNTIL SECURE

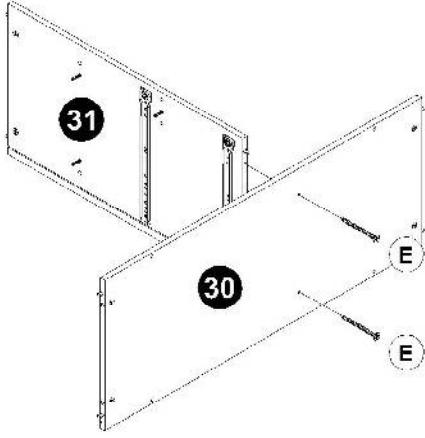


↑
CORRECT

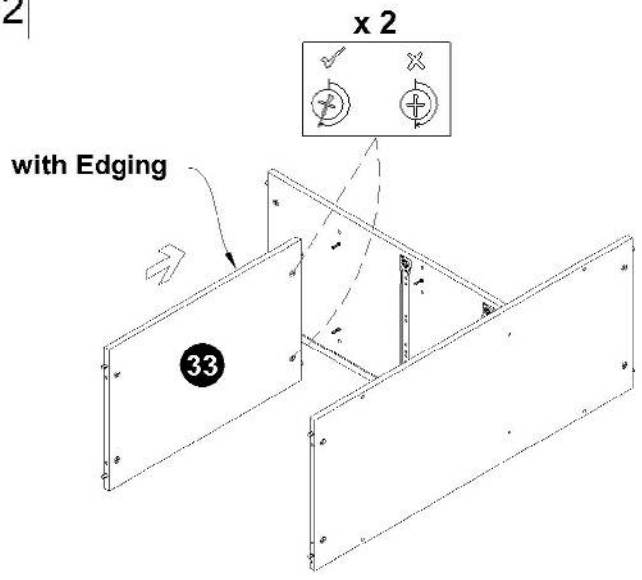
WRONG



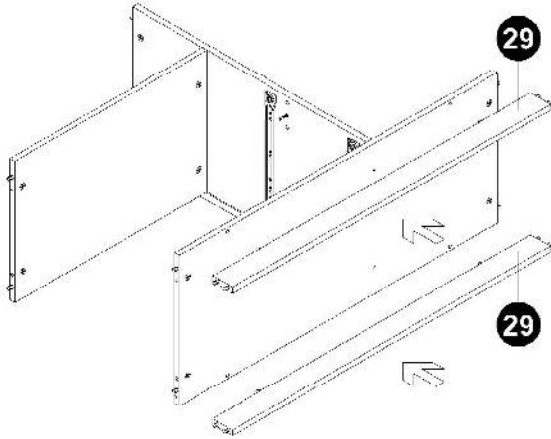
51  E x 2



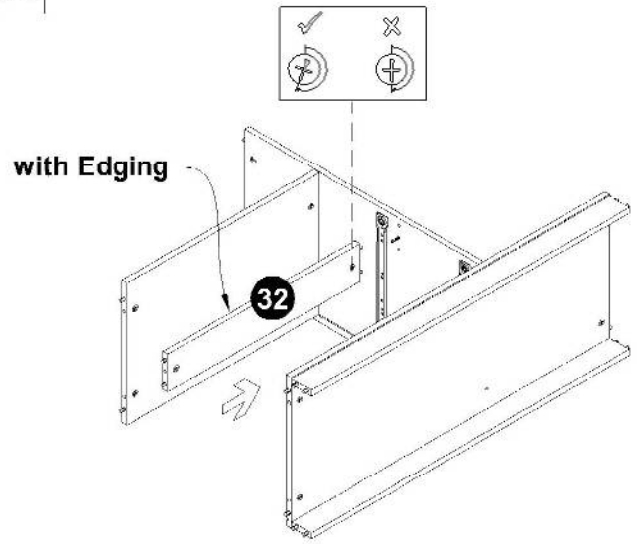
52



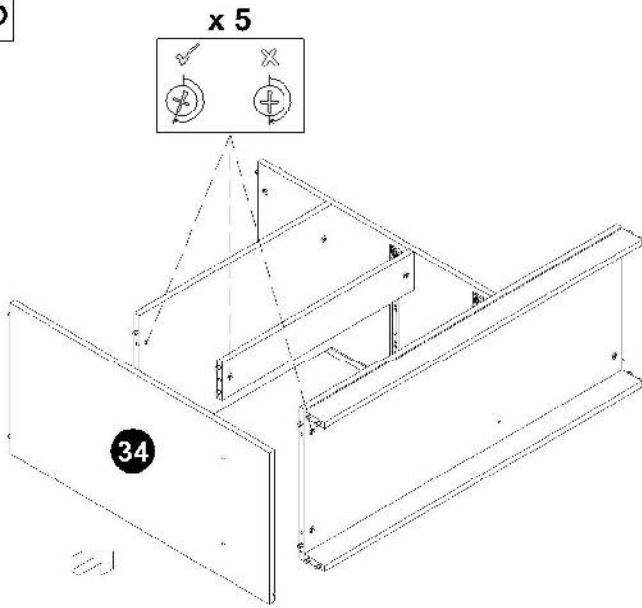
53



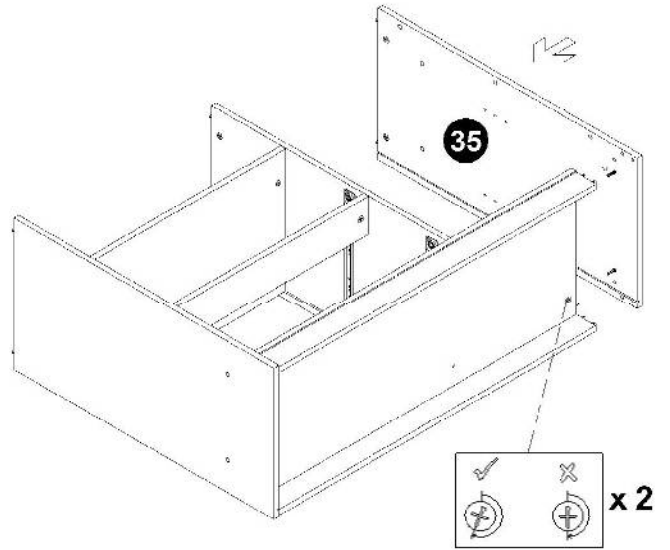
54




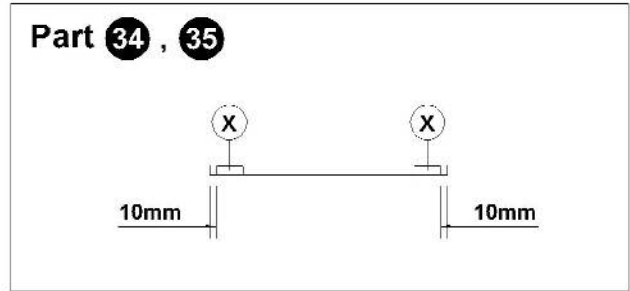
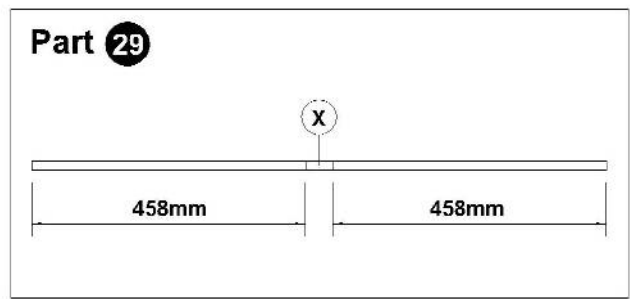
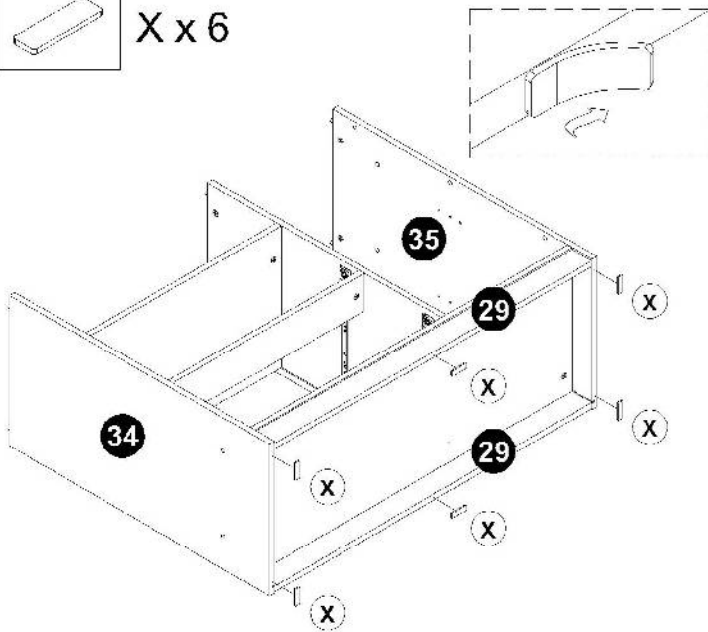
55



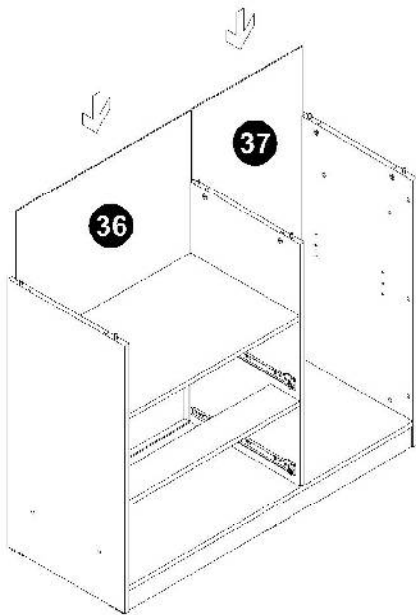
56



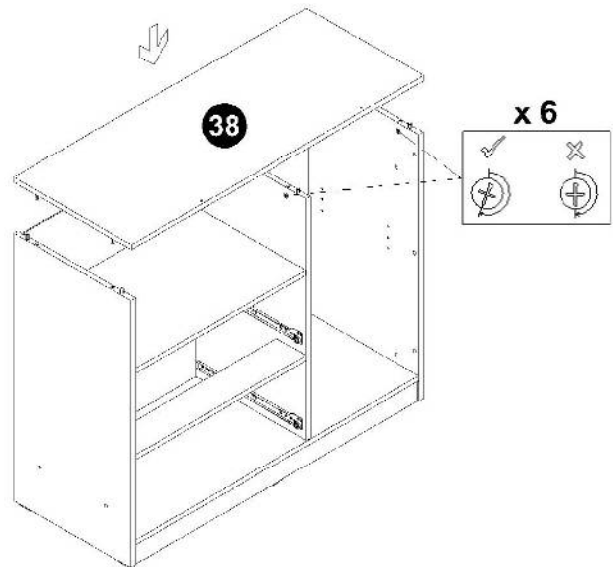
57  X x 6



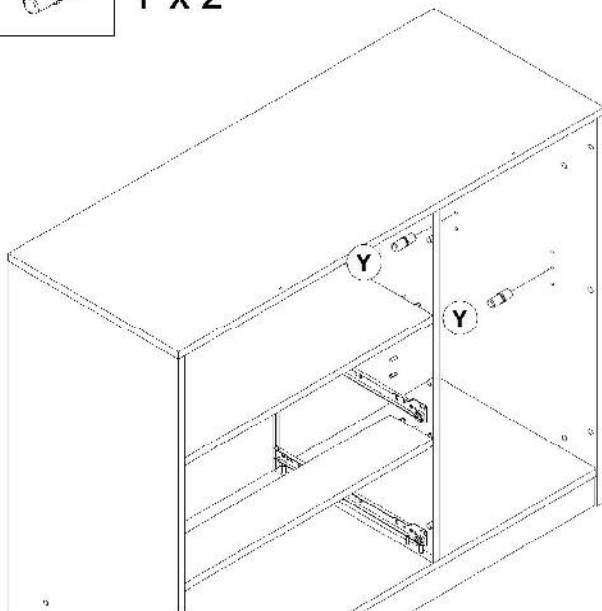
58



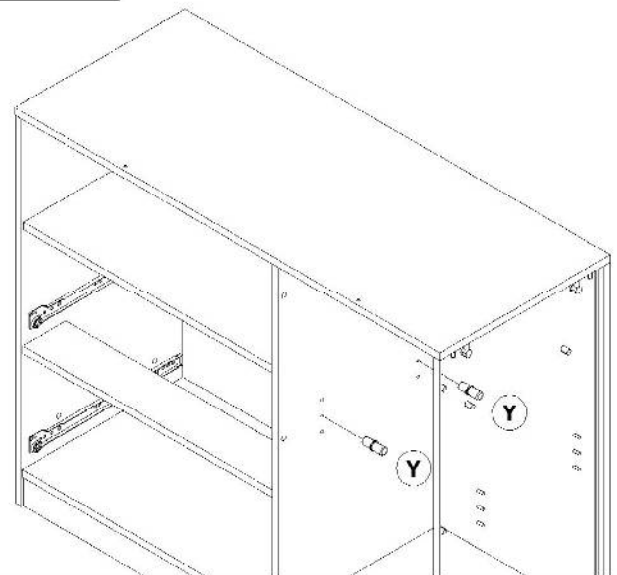
59



60  Y x 2



61  Y x 2



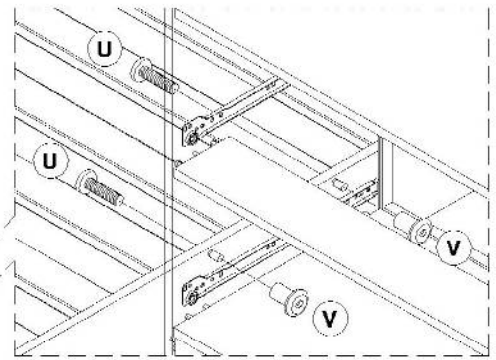
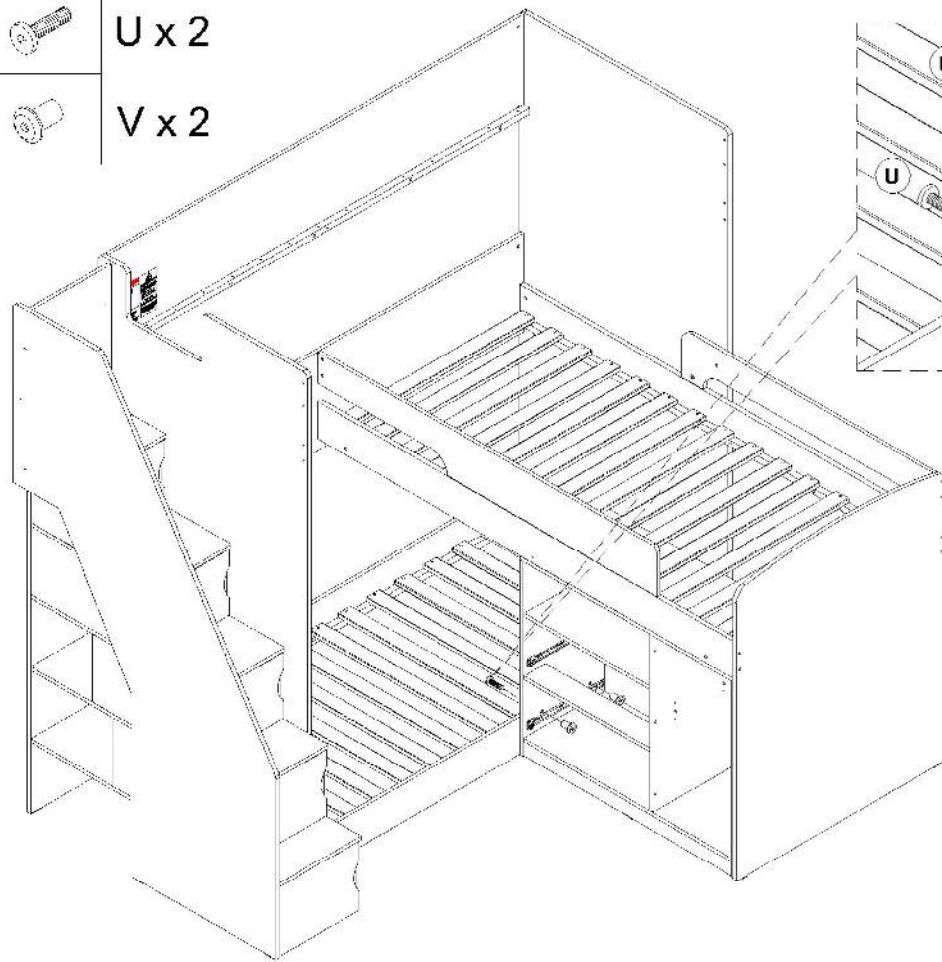
62



U x 2



V x 2



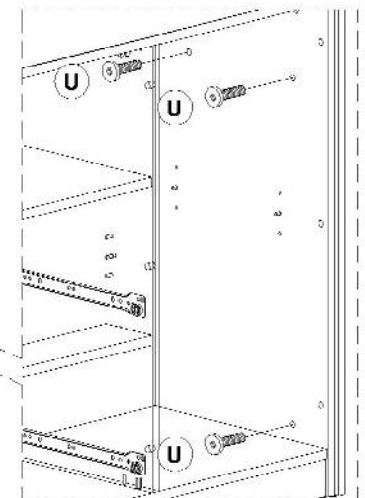
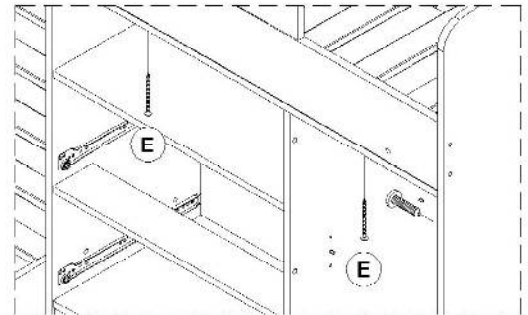
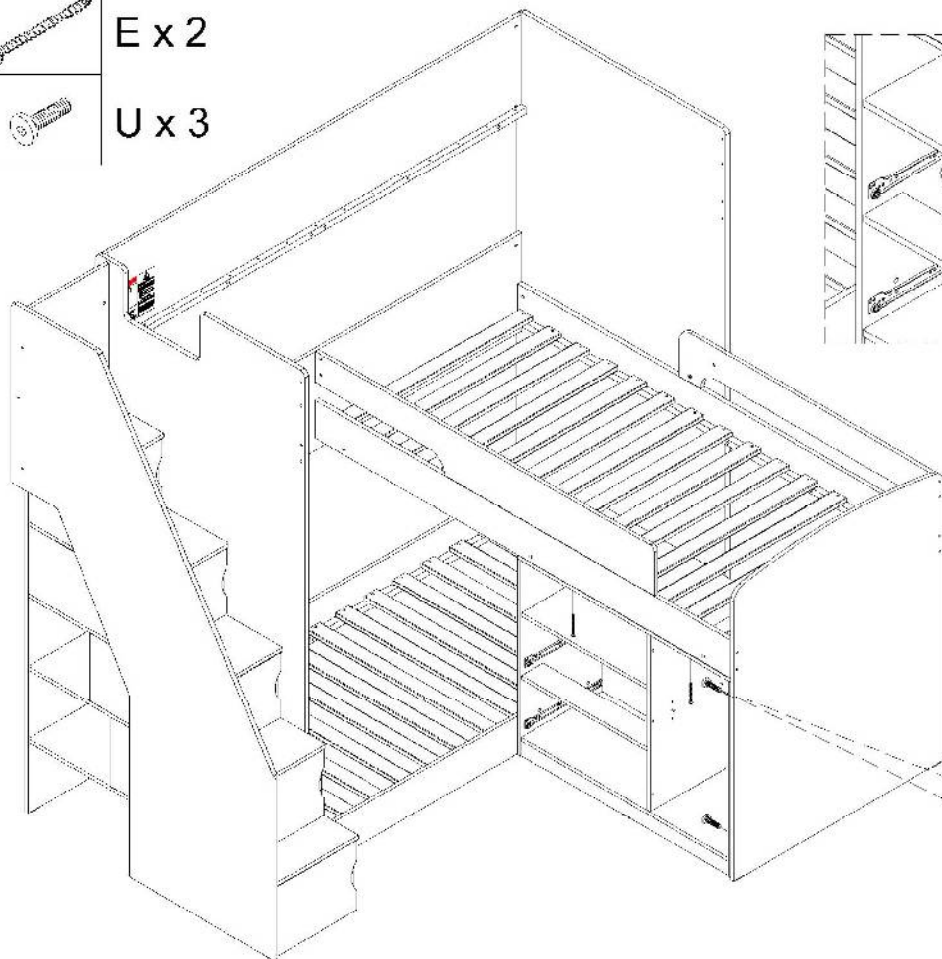
63



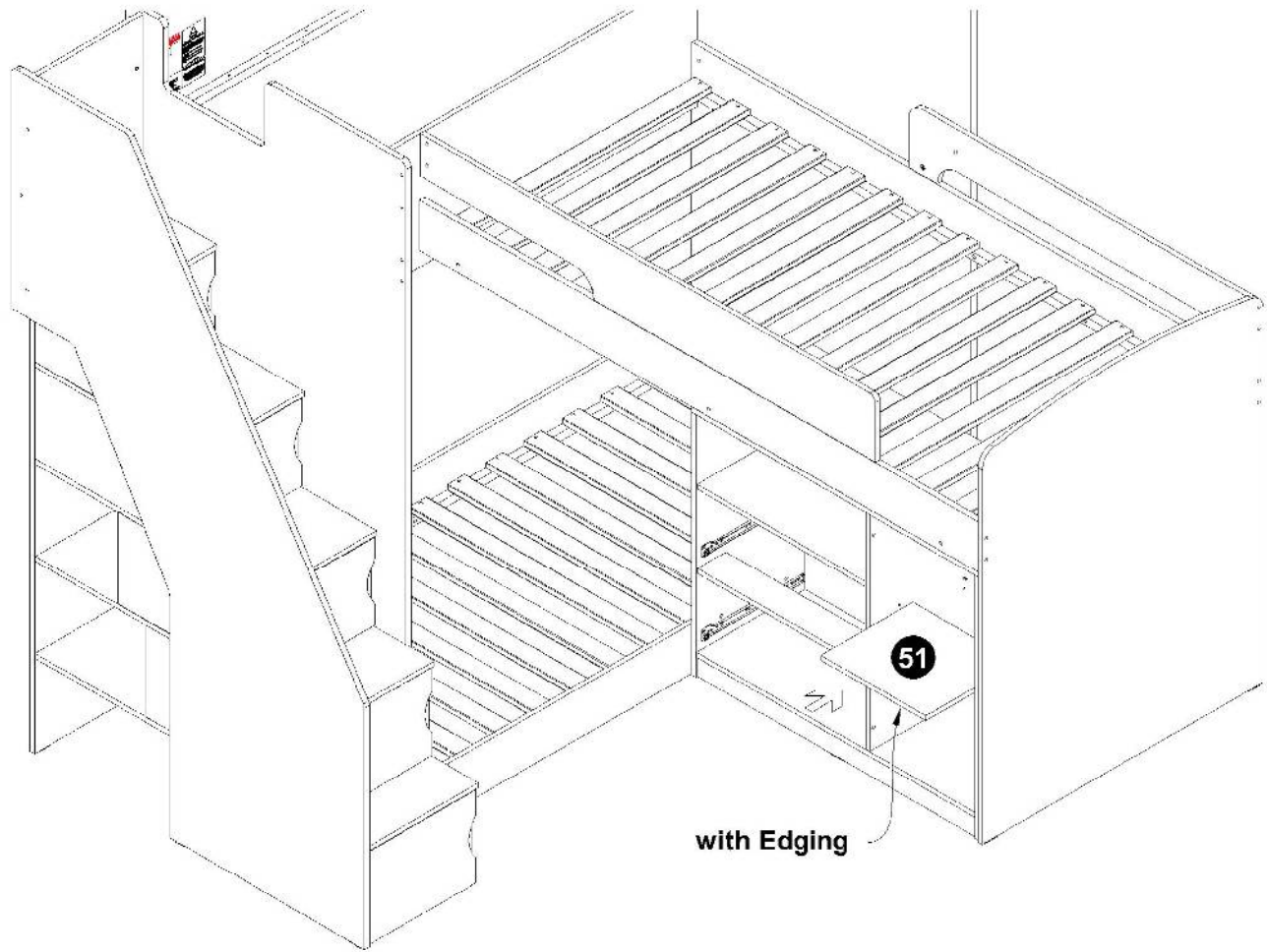
E x 2



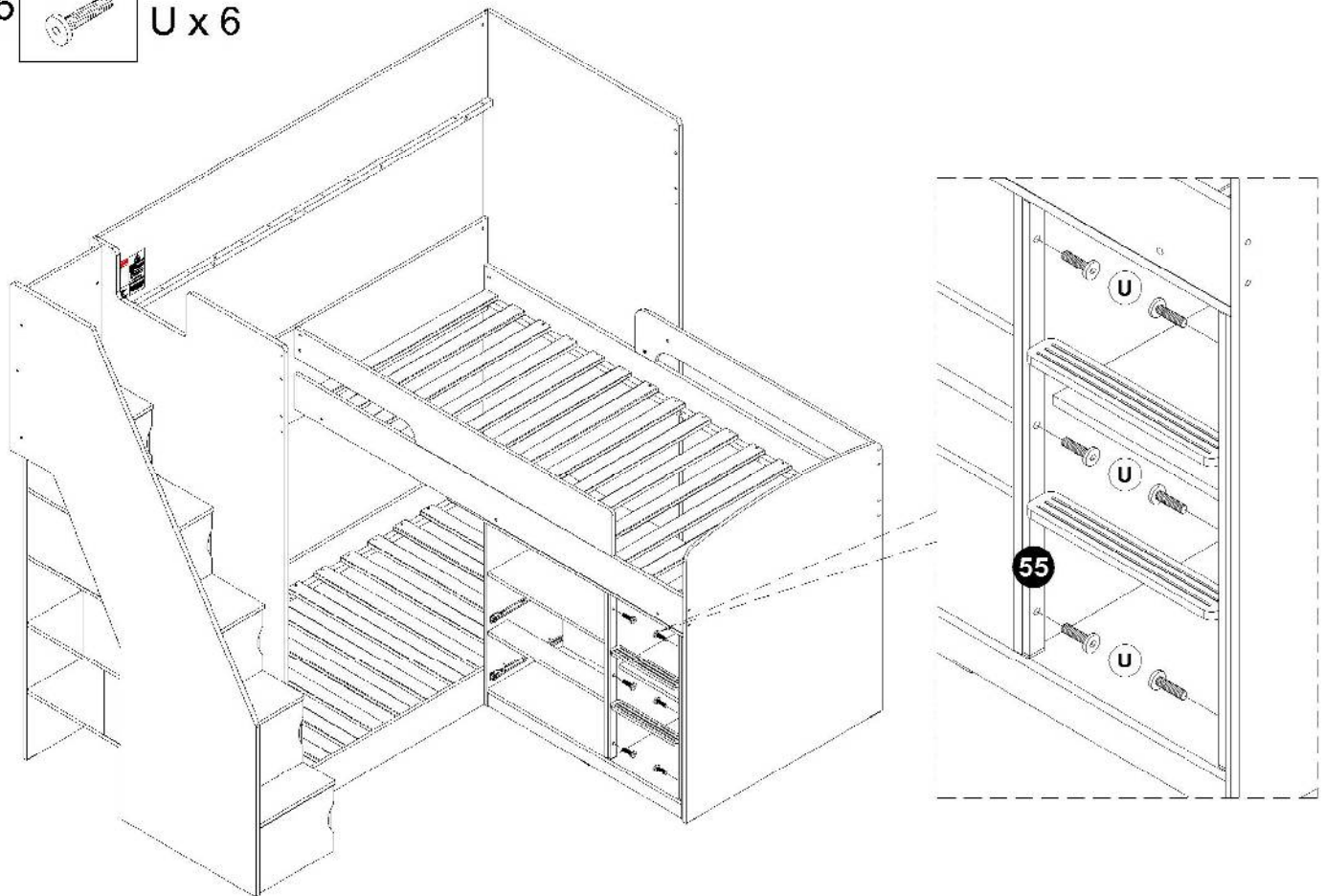
U x 3



64



65



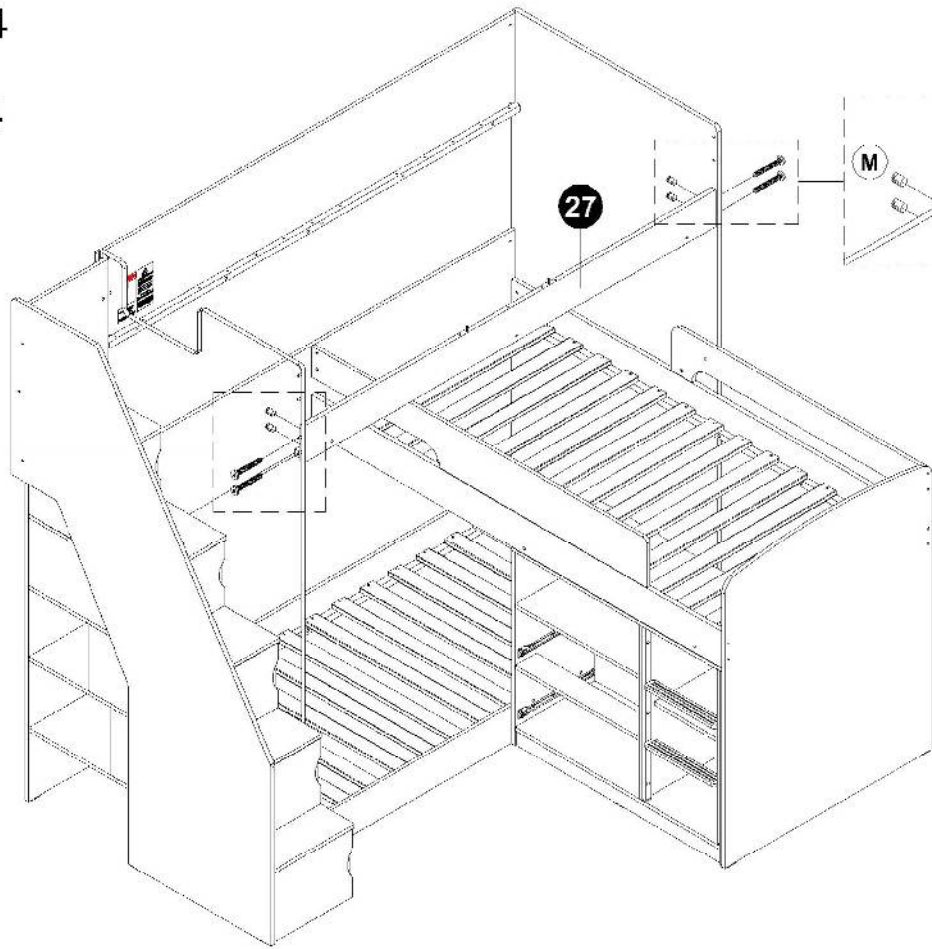
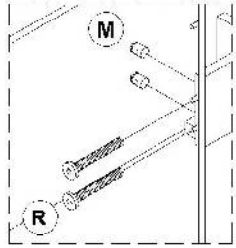
66



M x 4



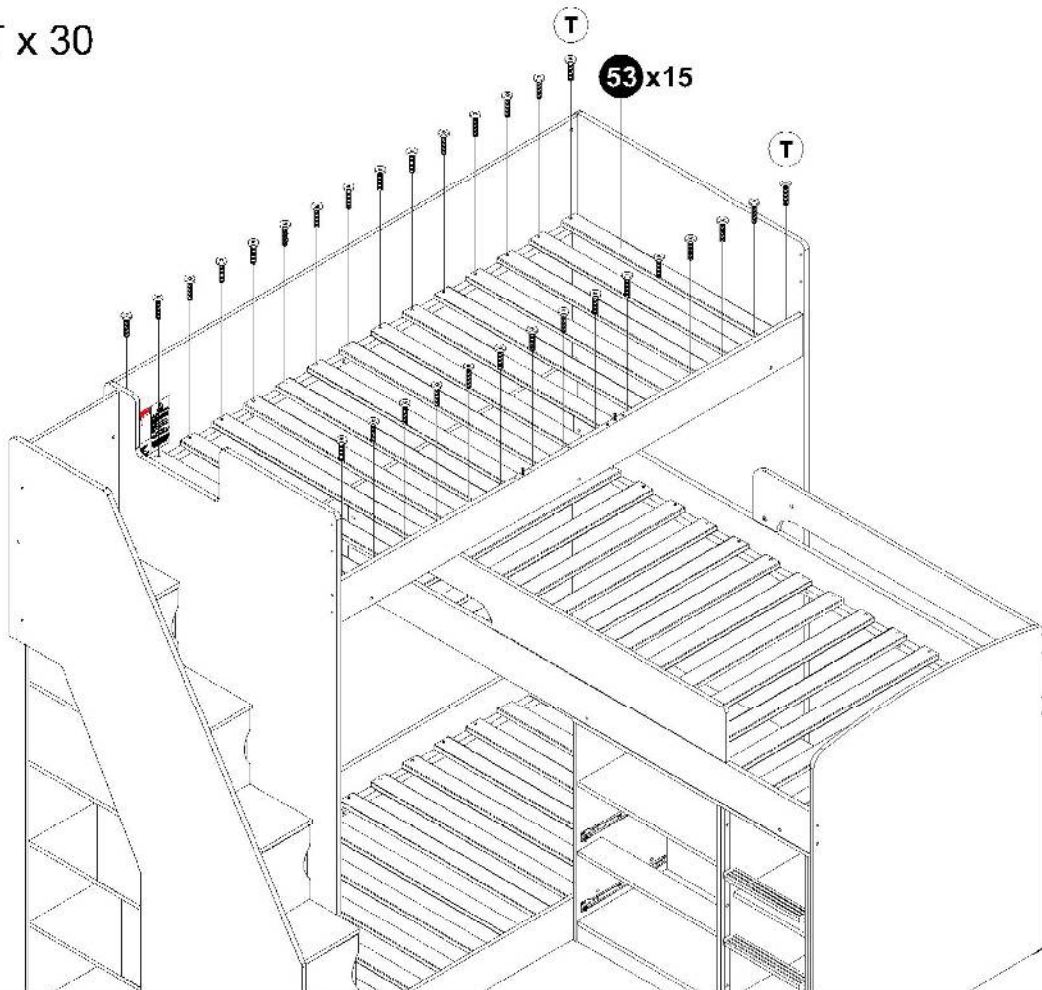
R x 4

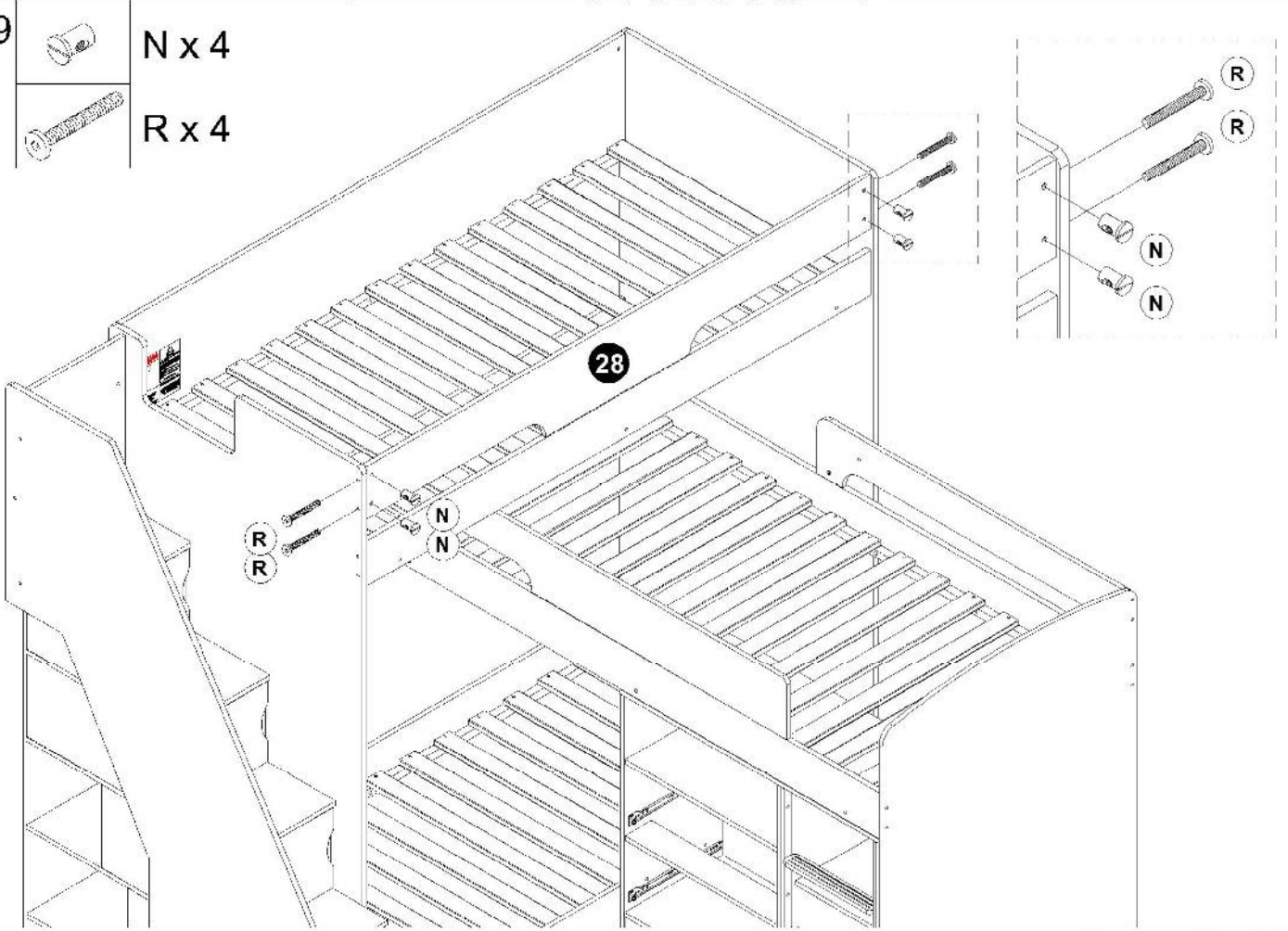
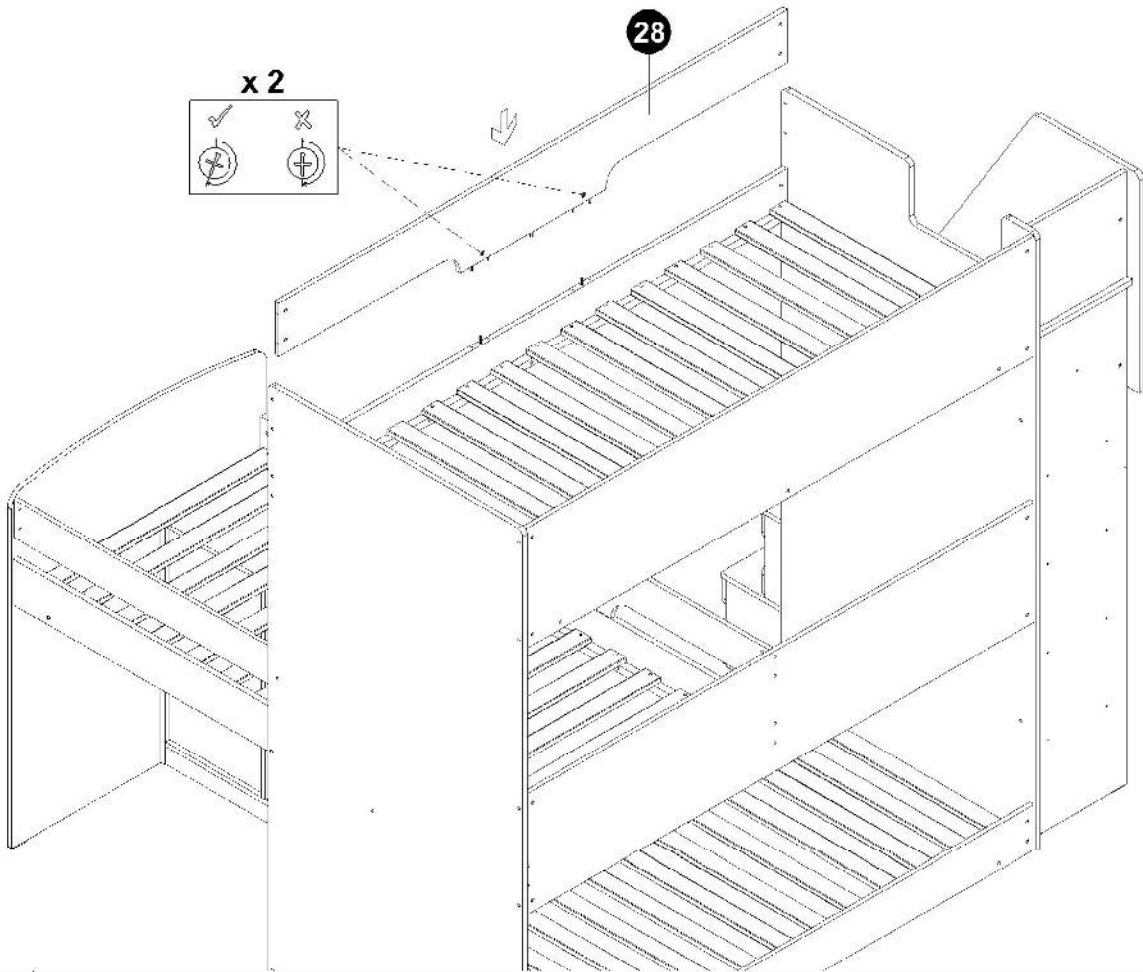





67

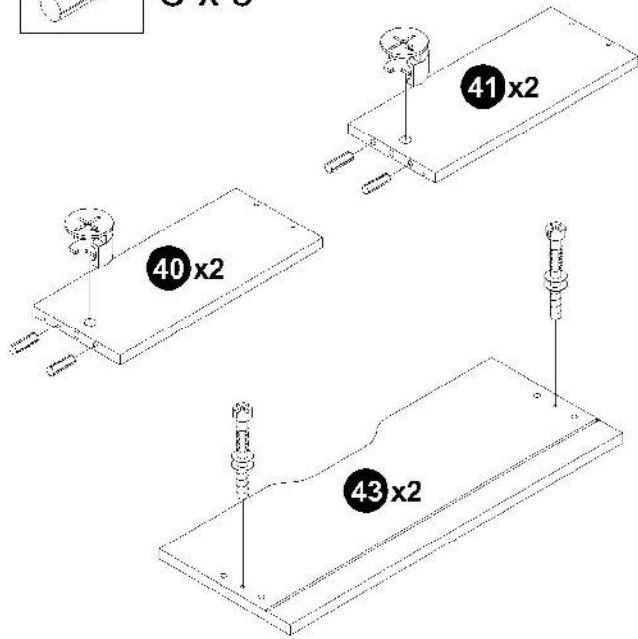


T x 30

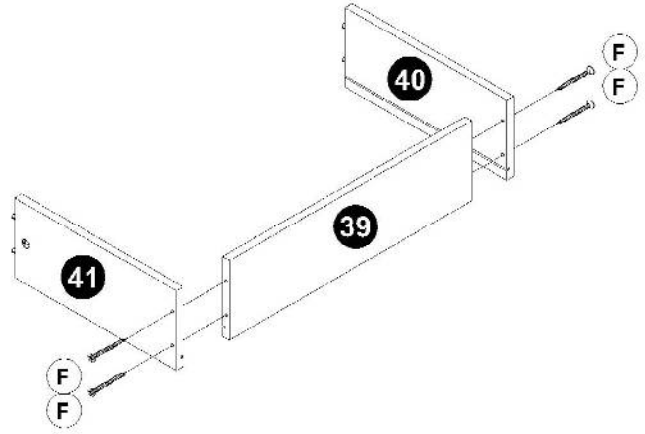




- 70
-  A x 4
 -  B x 4
 -  C x 8

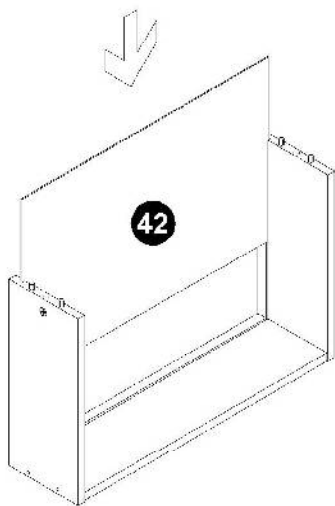


- 71
-  F x 8



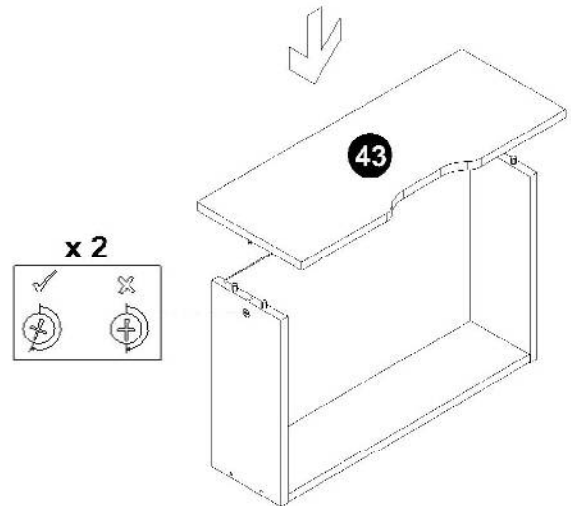
Do This Step 2 Times

72




Do This Step 2 Times

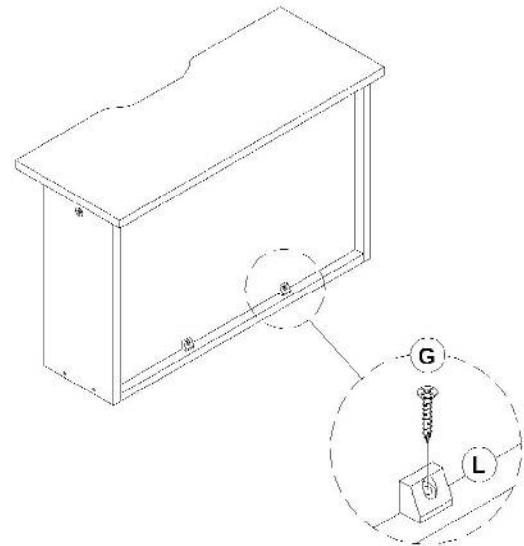
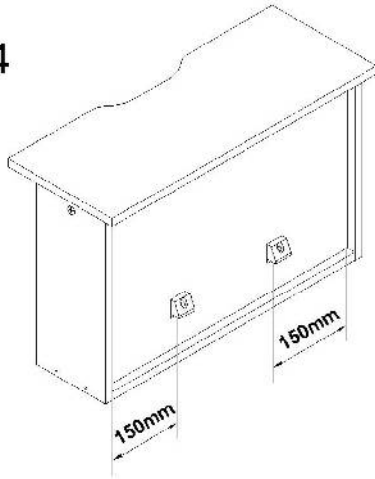
73



Do This Step 2 Times

74  G x 4

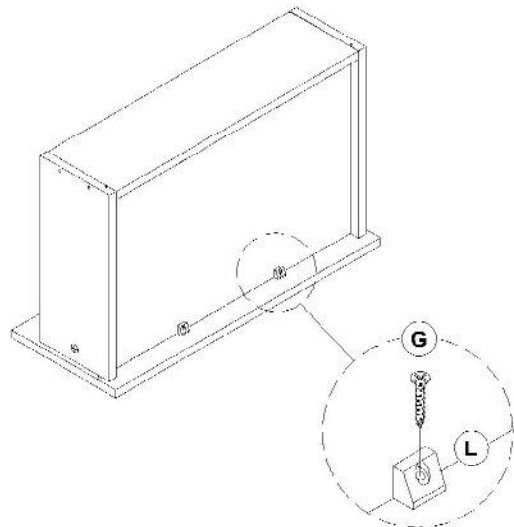
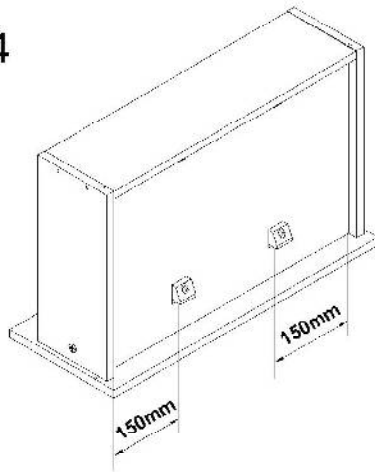
 L x 4



Do This Step 2 Times

75  G x 4

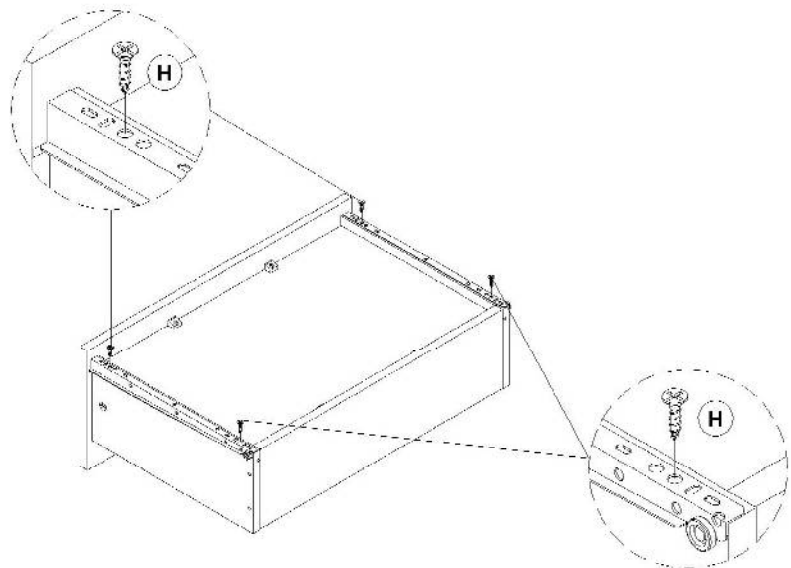
 L x 4



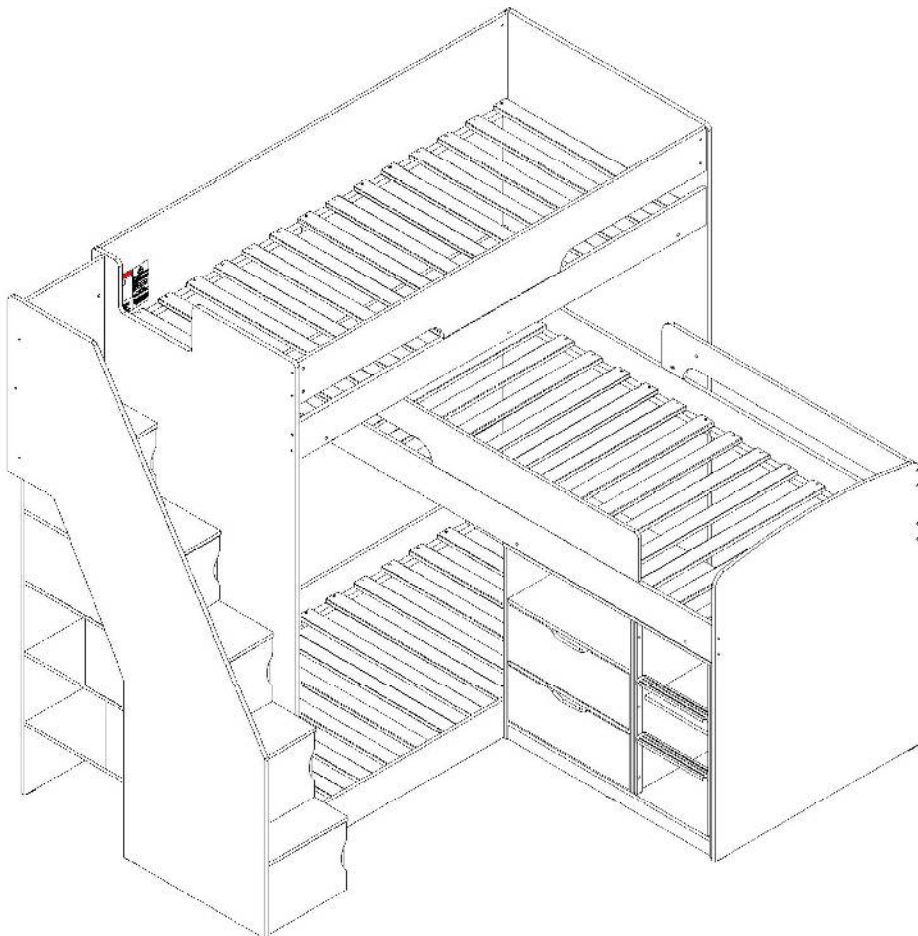
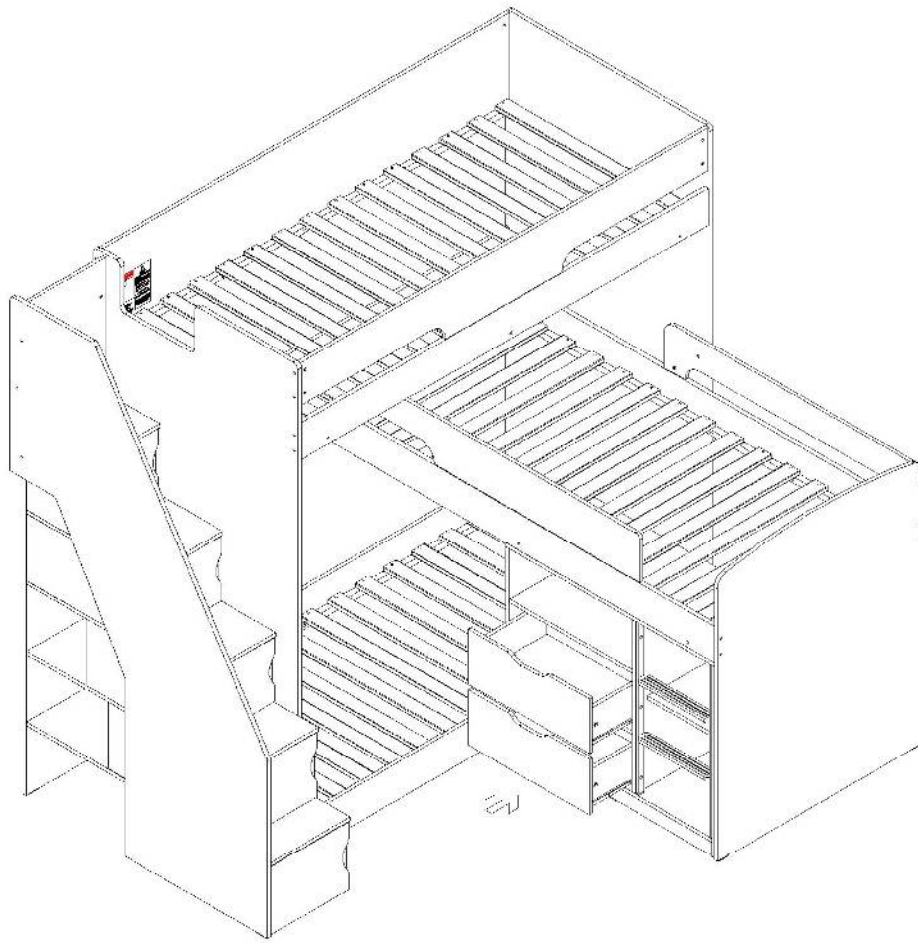
Do This Step 2 Times

76  H x 8

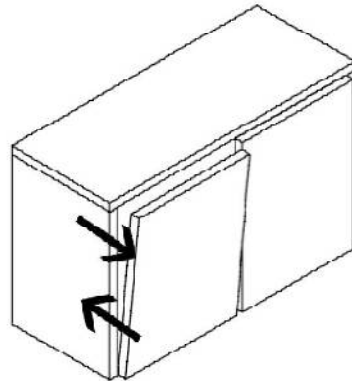
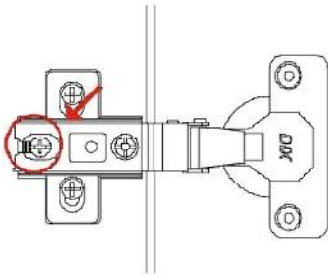
 J x 2 sets



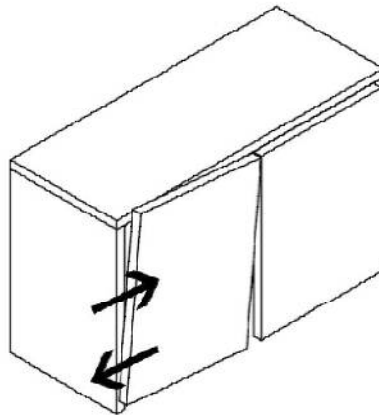
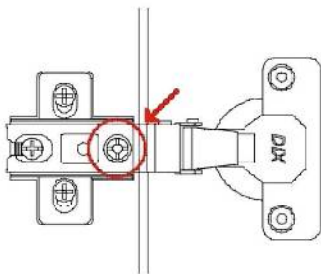
Do This Step 2 Times



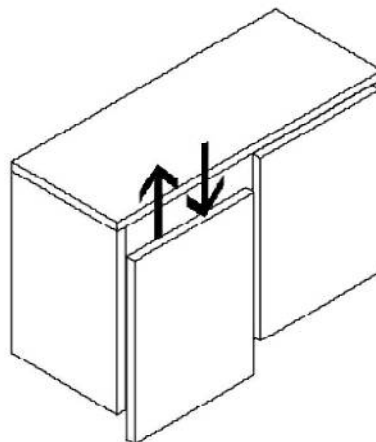
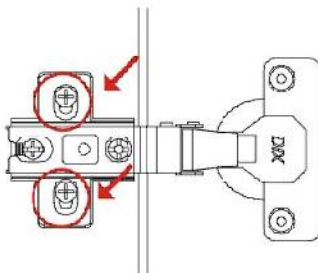
Adjusting Possibilities



Depth Adjustment
after loosening the hinge
arm mounting screw



Lateral Adjustment
by adjusting screw



Vertical Adjustment
via mounting plate (via
slots or, if in two pieces,
via screw)

General Care

Wipe clean with a slightly damp soft cloth.

Avoid the use of all household cleaners and abrasives.

When moving your furniture, carefully lift into place. Never drag or push the pieces across the floor as this will cause damage to the joints and could result in failure to the product that will invalidate the warranty.

Recommendations

Periodical re-tightening of fixings.

Warning

This unit is heavy. Please use an assistant when lifting.

Notes

We've tried to make this piece of furniture as easy to assemble as possible. In the unlikely event that you have problems putting it together or have damaged or missing pieces, please contact our customer services on 01924 950 955

Flair Furnishings

Old Delivery Office, Oldfield Lane, Heckmondwike, West Yorkshire, WF16 0JD