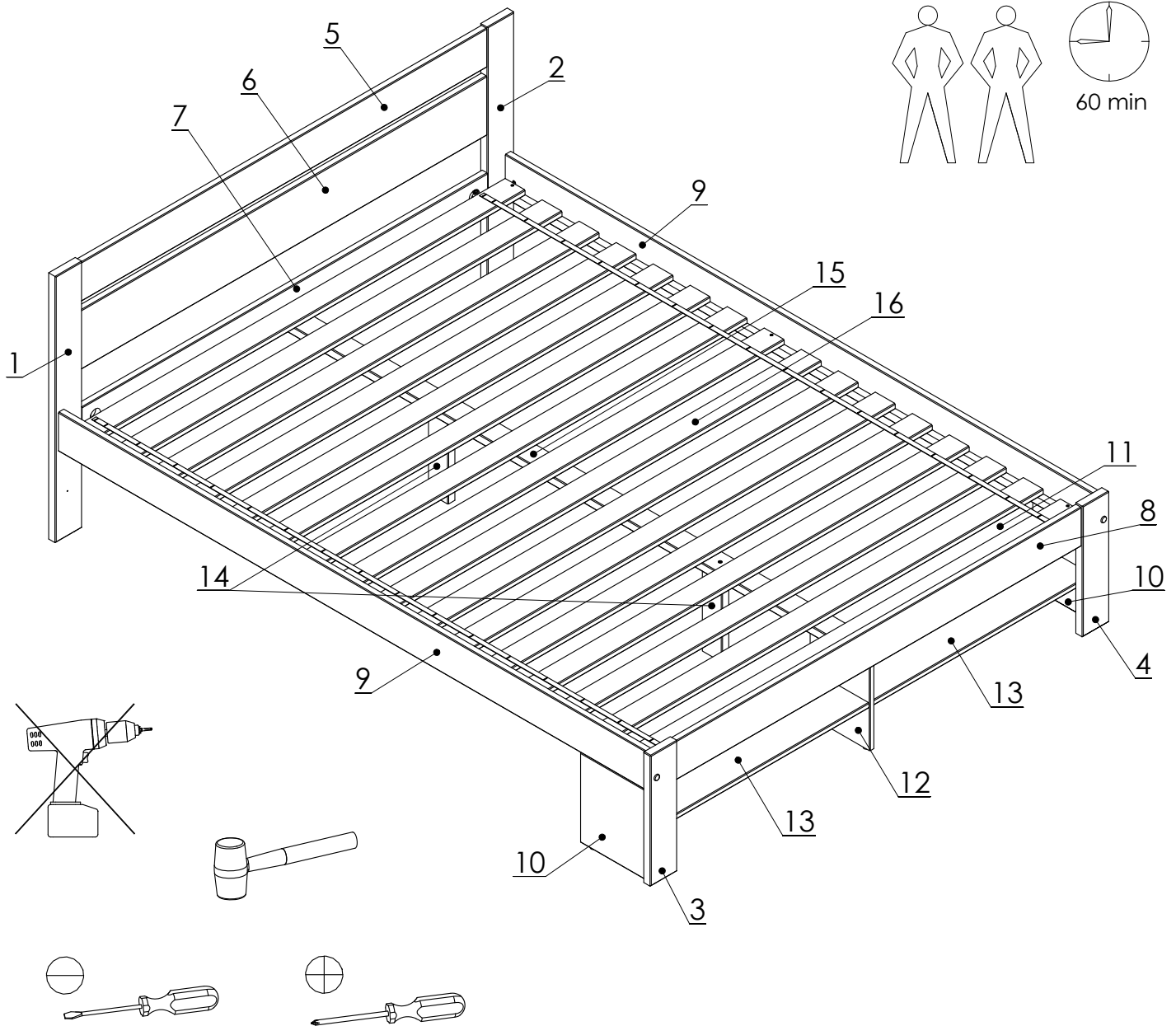


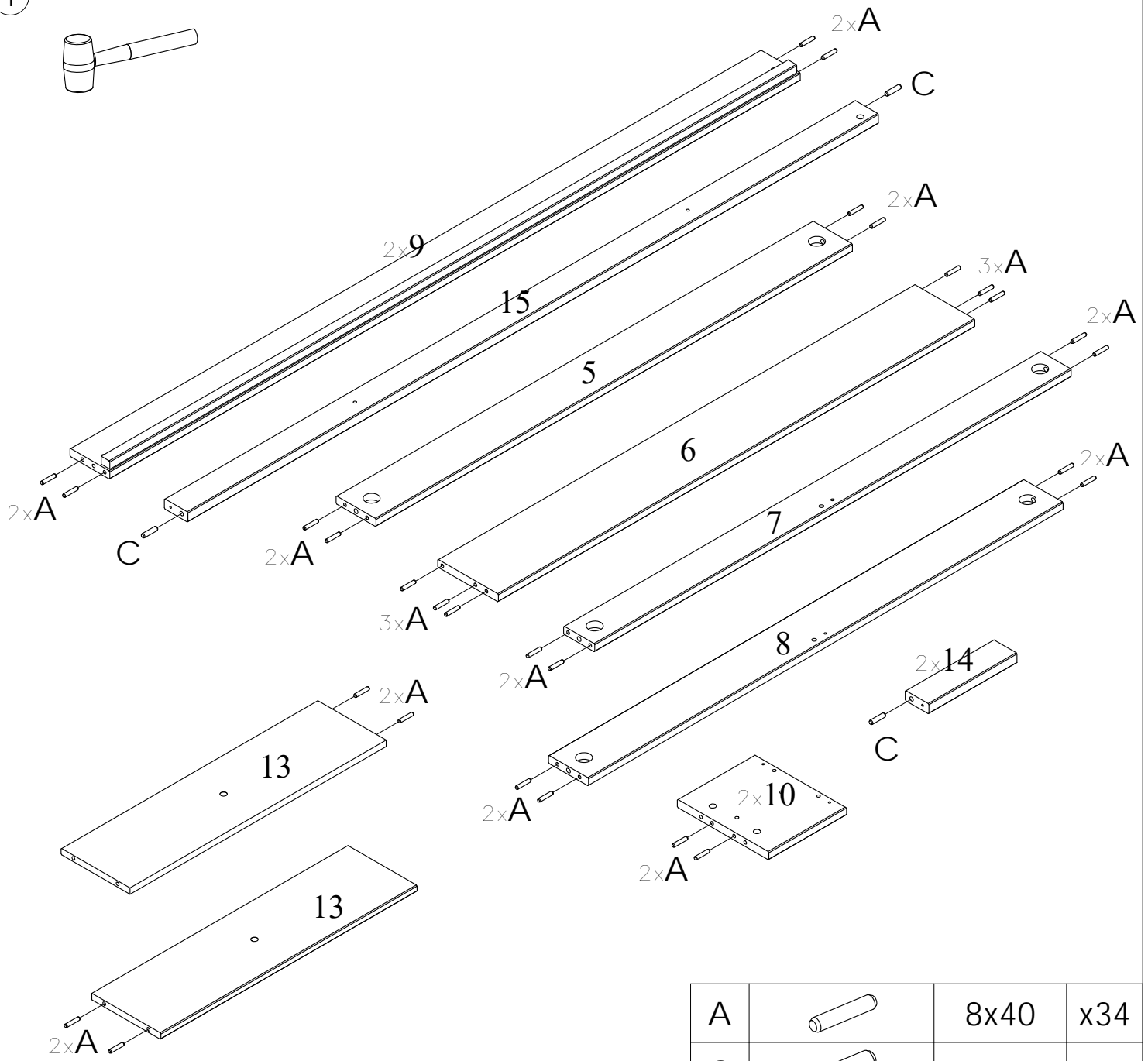
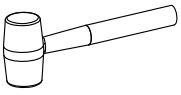
60 min



A		8x40	x34
B		8x55	x2
C		10x40	x4
D		M6x60	x4
E		M6x10x13	x4
F		7x60	x9
G		D35	x6
H		7x34	x9
J		15x12	x9

K		5x38	x2
L		D4x13	x1
M		D15	x4
N		D35x9	x2
P		M8x20x10,4	x2
Q		M8x20-D28	x2
R		3,5x40	x6
S		D17x3	x12
T		4mm	x1

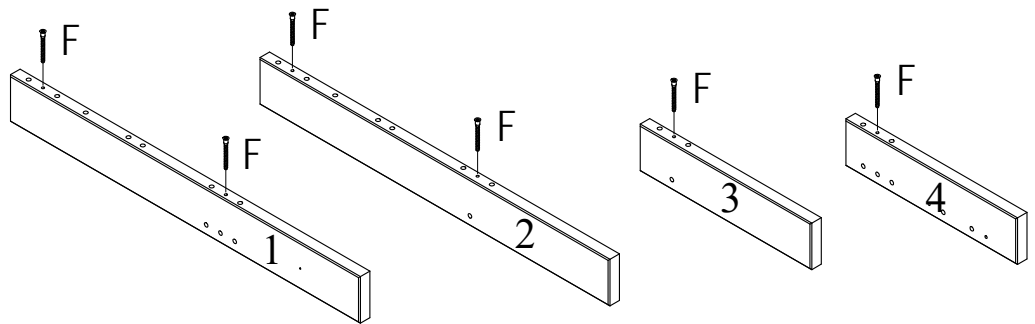
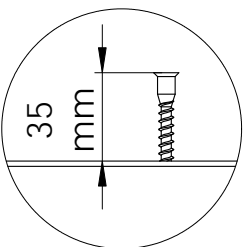
①



②

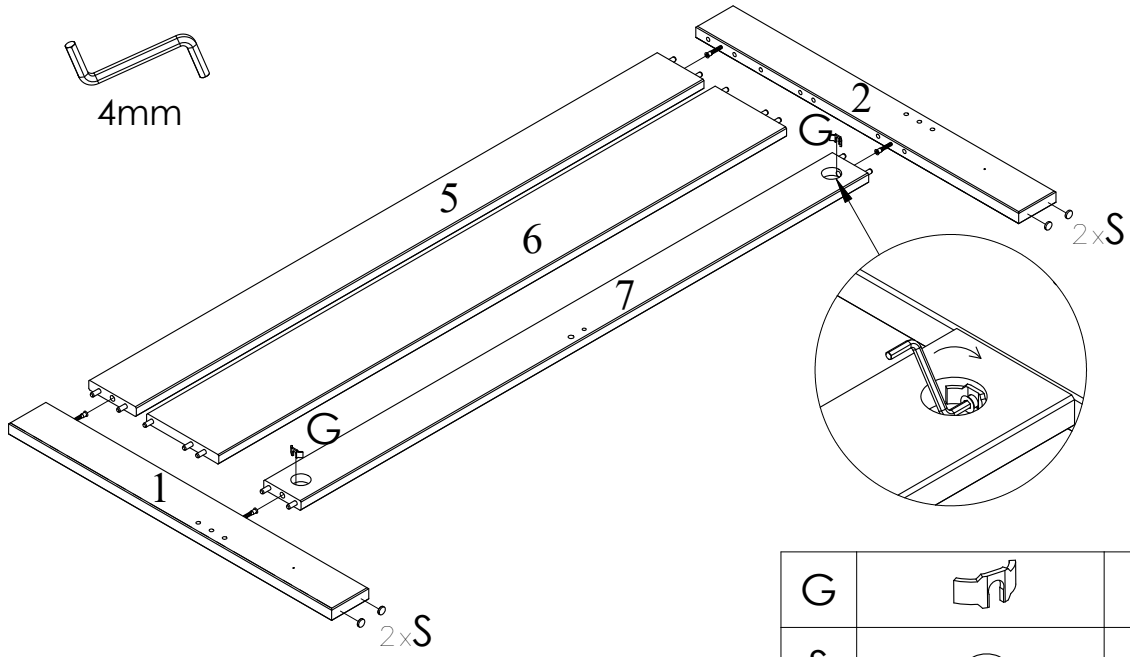


4mm



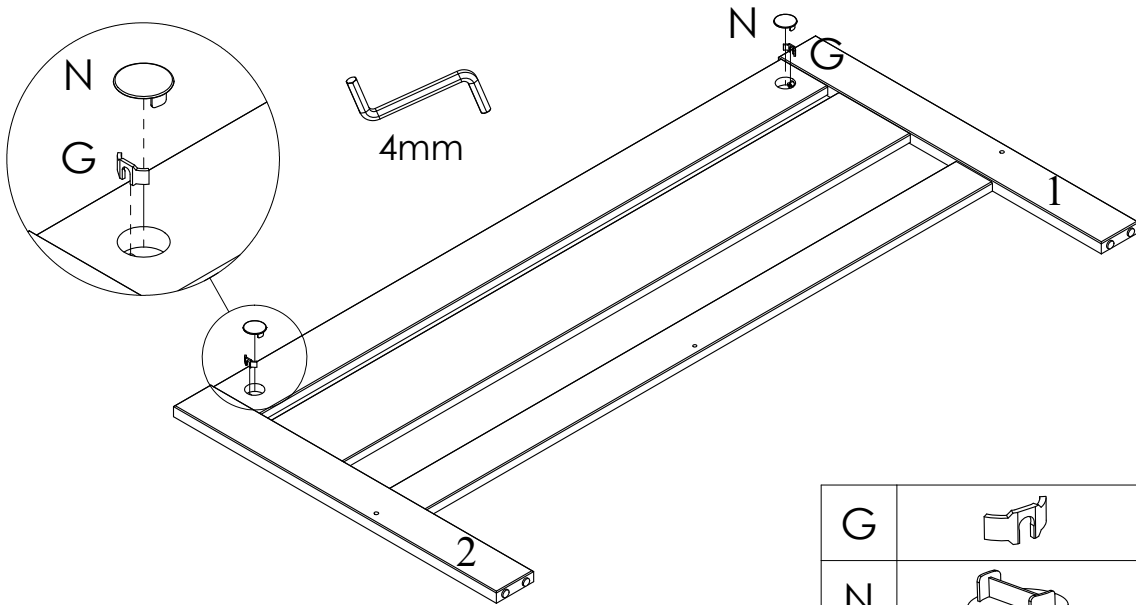
F		7x60	x6
---	--	------	----

3



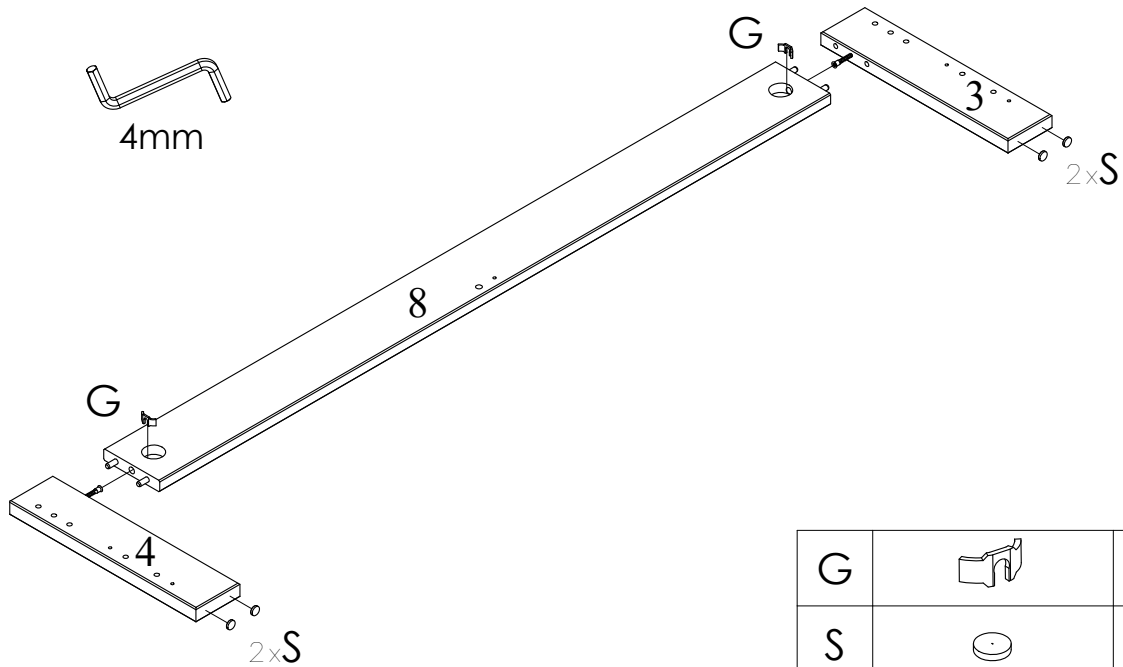
G		D35	x2
S		D17x3	x4

4



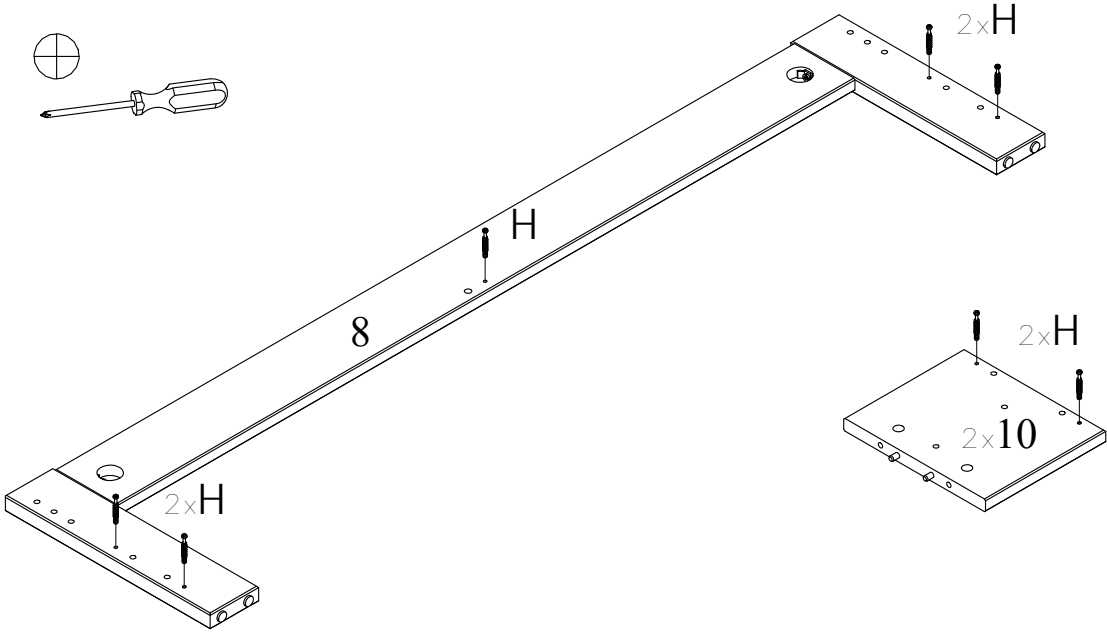
G		D35	x2
N		D35x9	x2

5



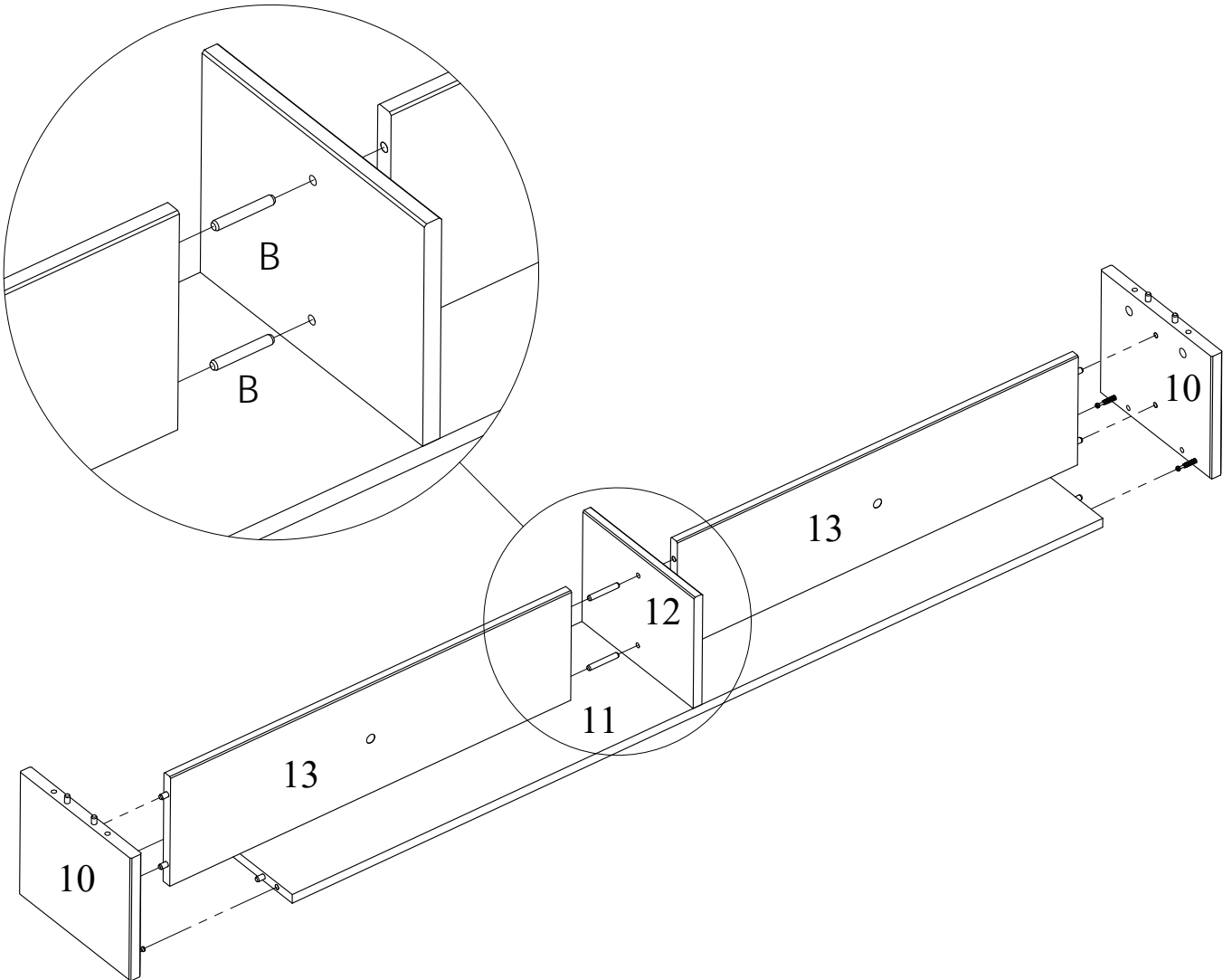
G		D35	x2
S		D17x3	x4

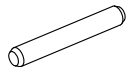
6



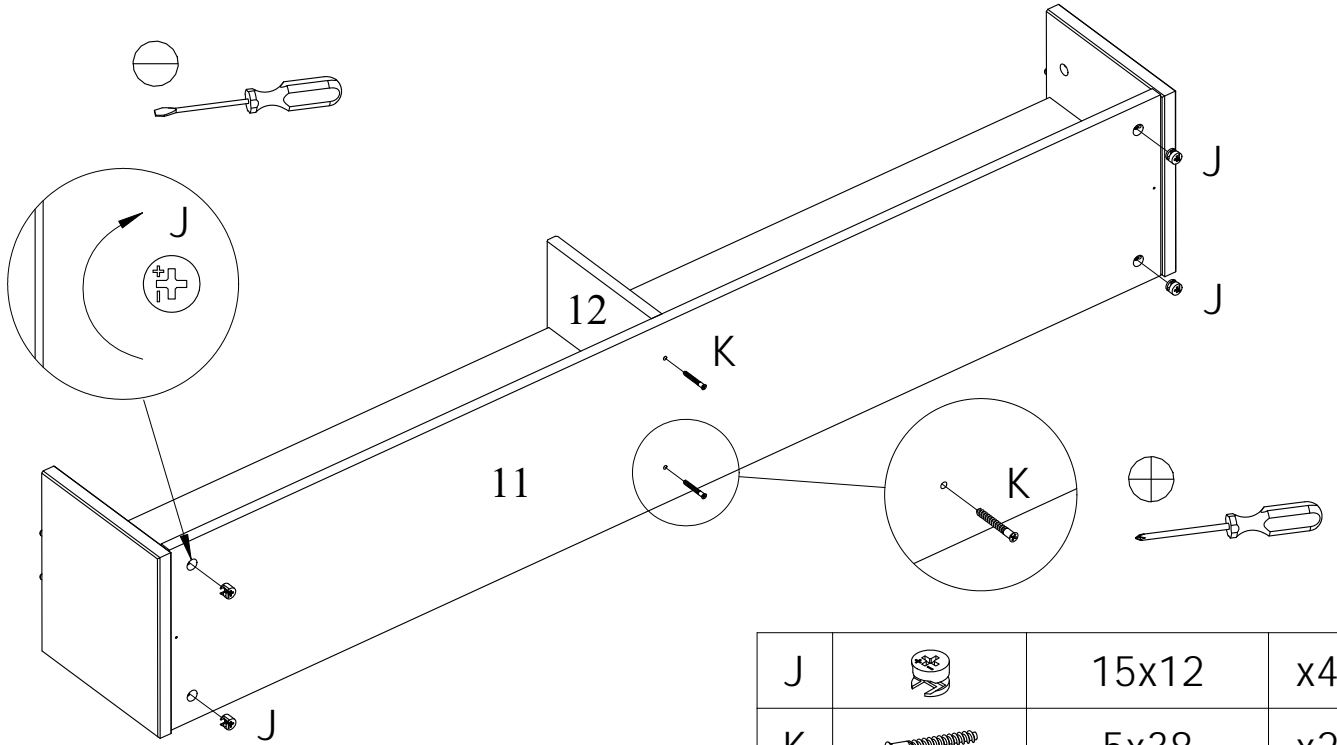
H		15x12	x9
---	---	-------	----



7



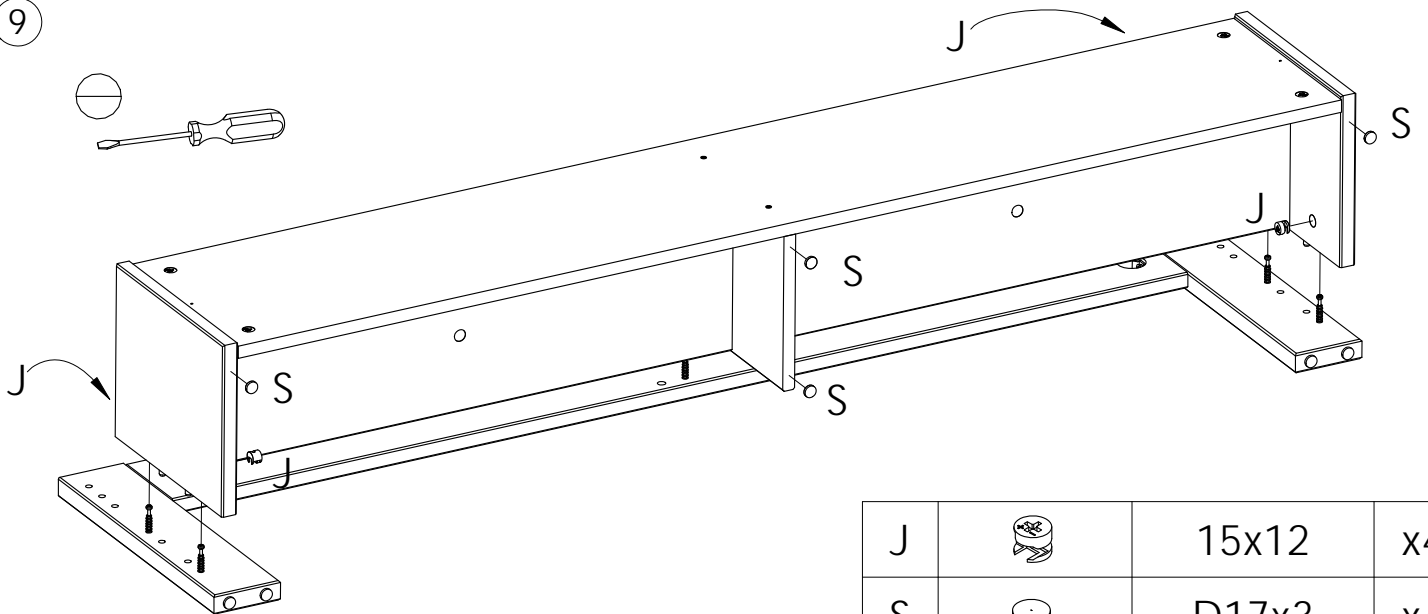
B		8x55	x2
---	---	------	----



8



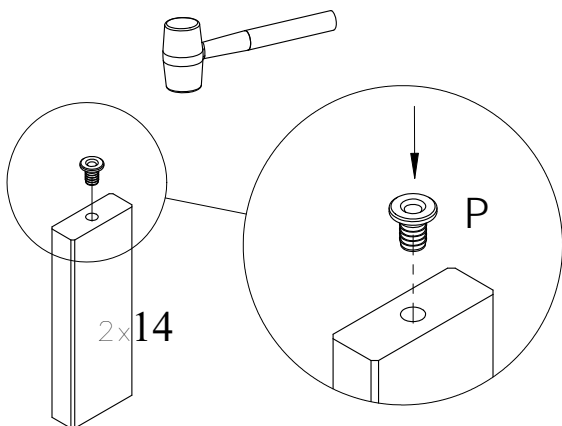
J		15x12	x4
K		5x38	x2


9



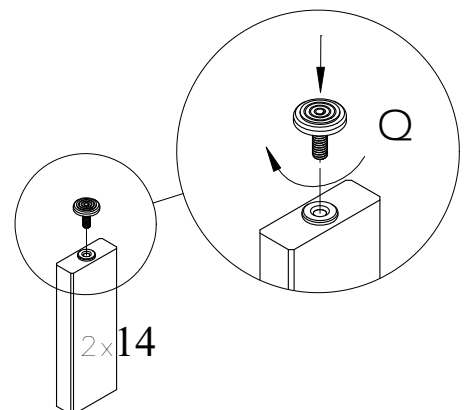
J		15x12	x4
S		D17x3	x4


10



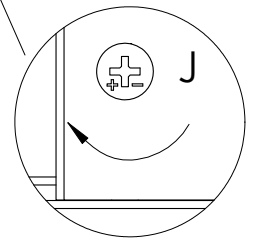
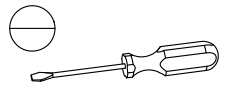
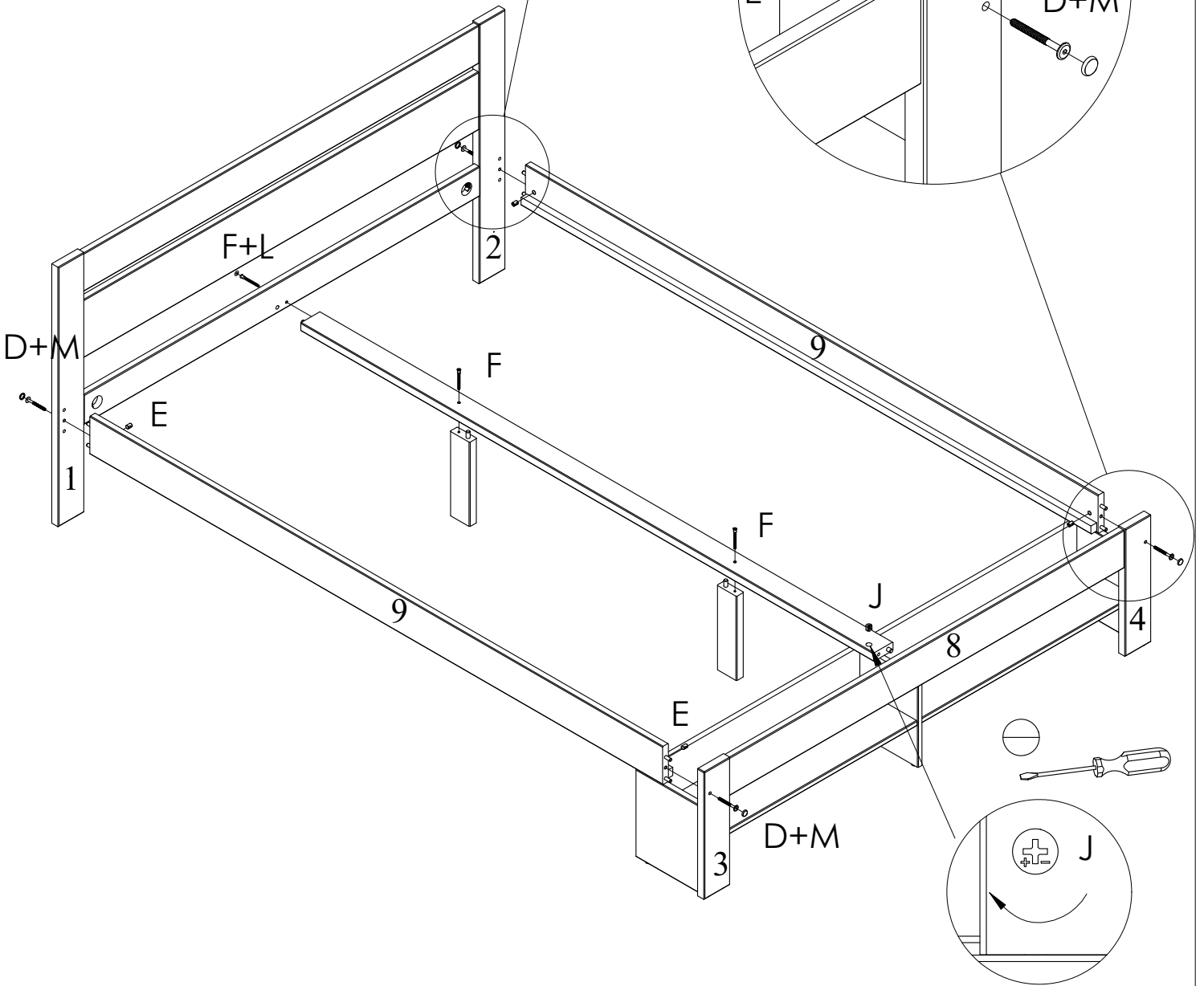
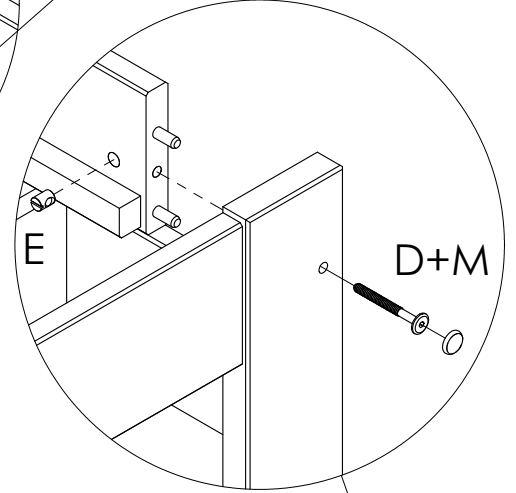
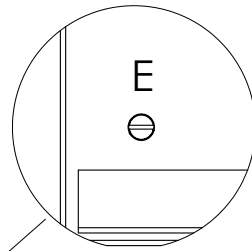
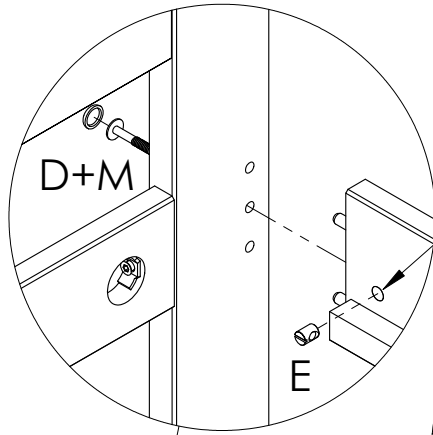
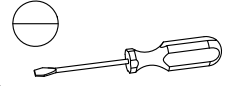
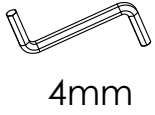
P		M8x20x10,4	x2
---	---	------------	----

11



Q		M8x20-D28	x2
---	---	-----------	----

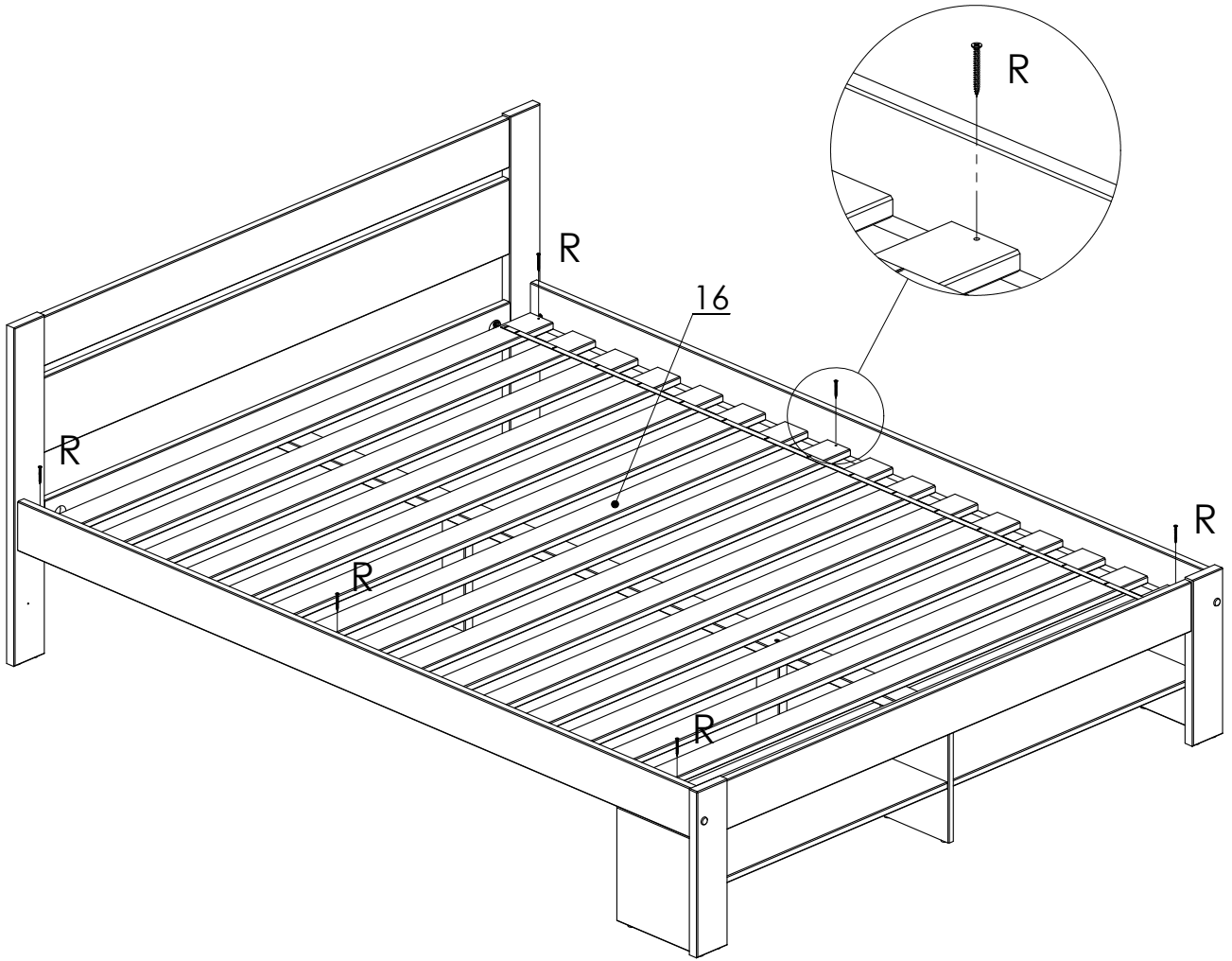
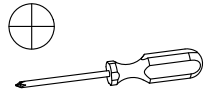
12




D		M6x60	x4
E		M6x10x13	x4
M		D15	x4

J		15x12	x1
F		7x60	x3
L		D4x13	x1

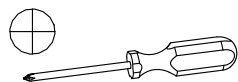
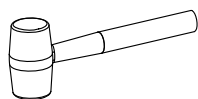
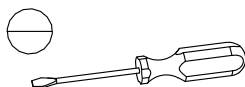
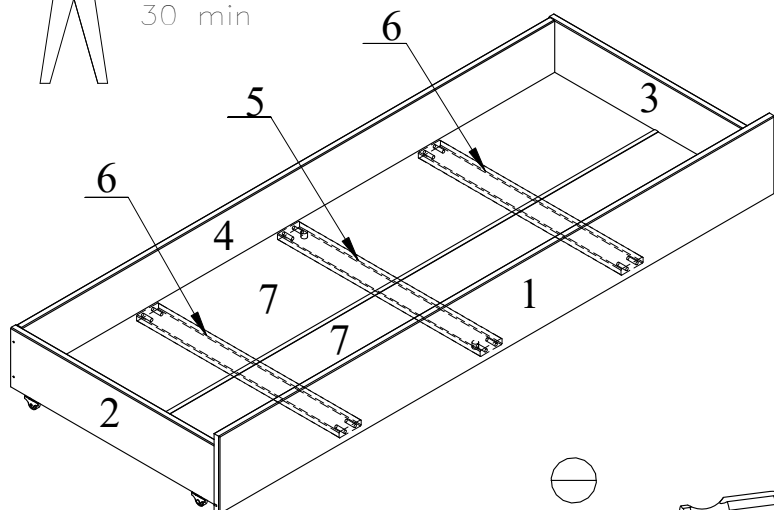
13



R		3,5x40	x6
---	---	--------	----

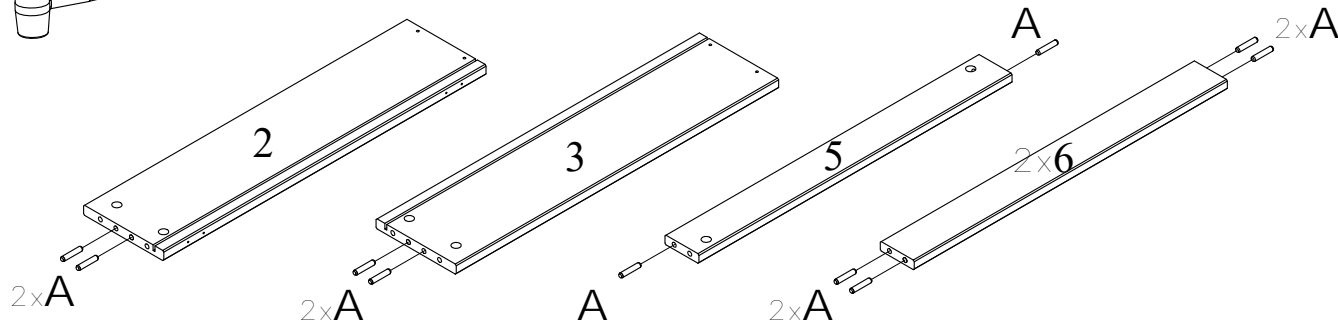
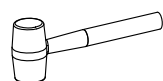


30 min



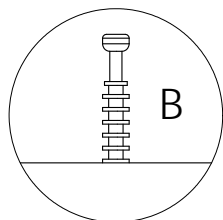
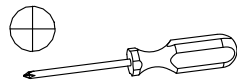
A		8x40	x14
B		7x34	x6
C		15x12	x6
D		3,5x40	x4
E		D26	x4
F		3,5x16	x8
G		L=1690	x1
H		3,5x30	x2
J		D19x19	x2

①

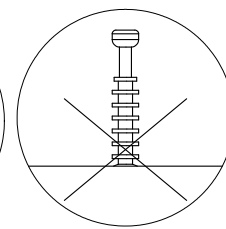
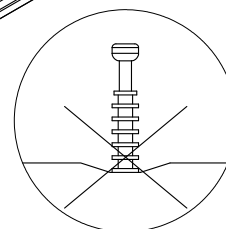
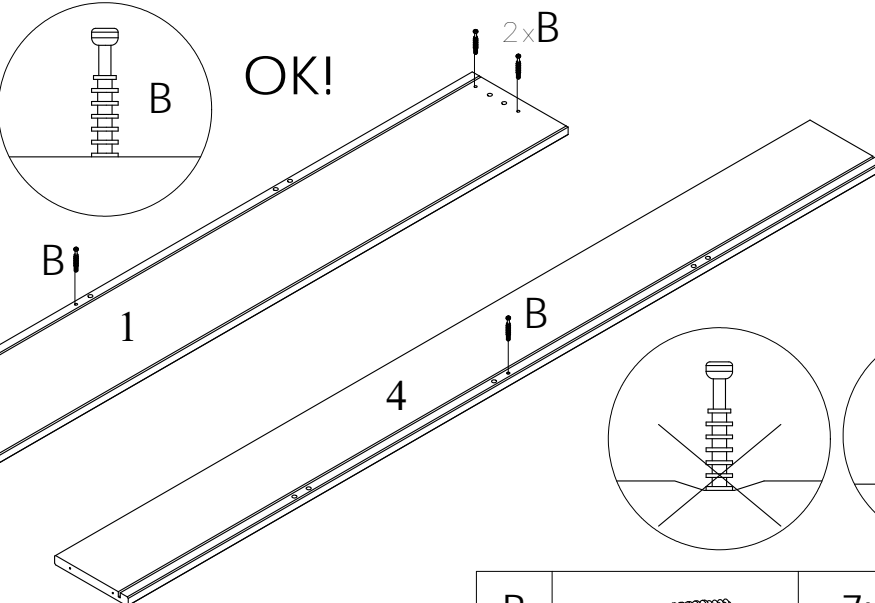
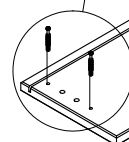
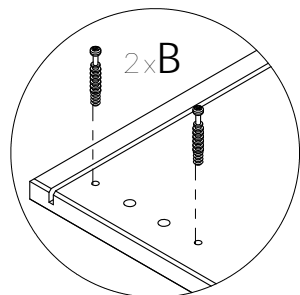


A		8x40	x14
---	--	------	-----

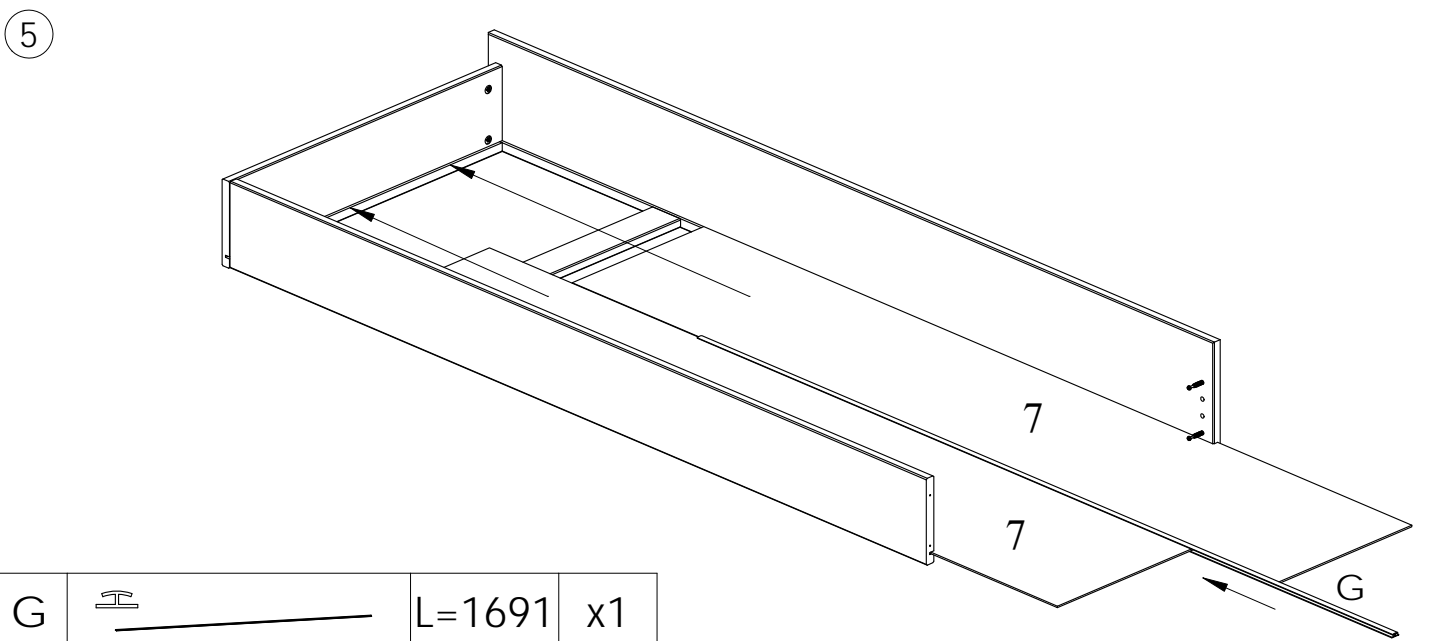
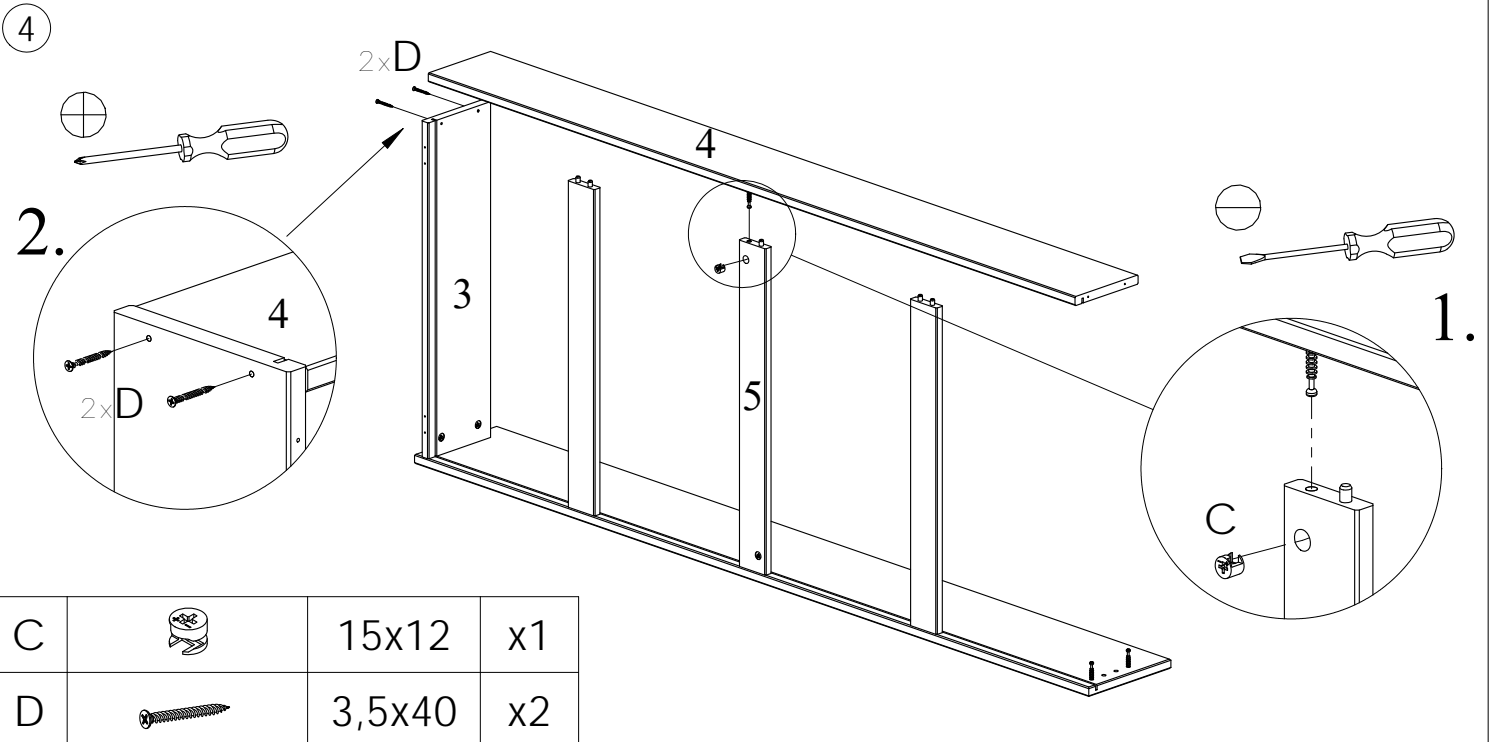
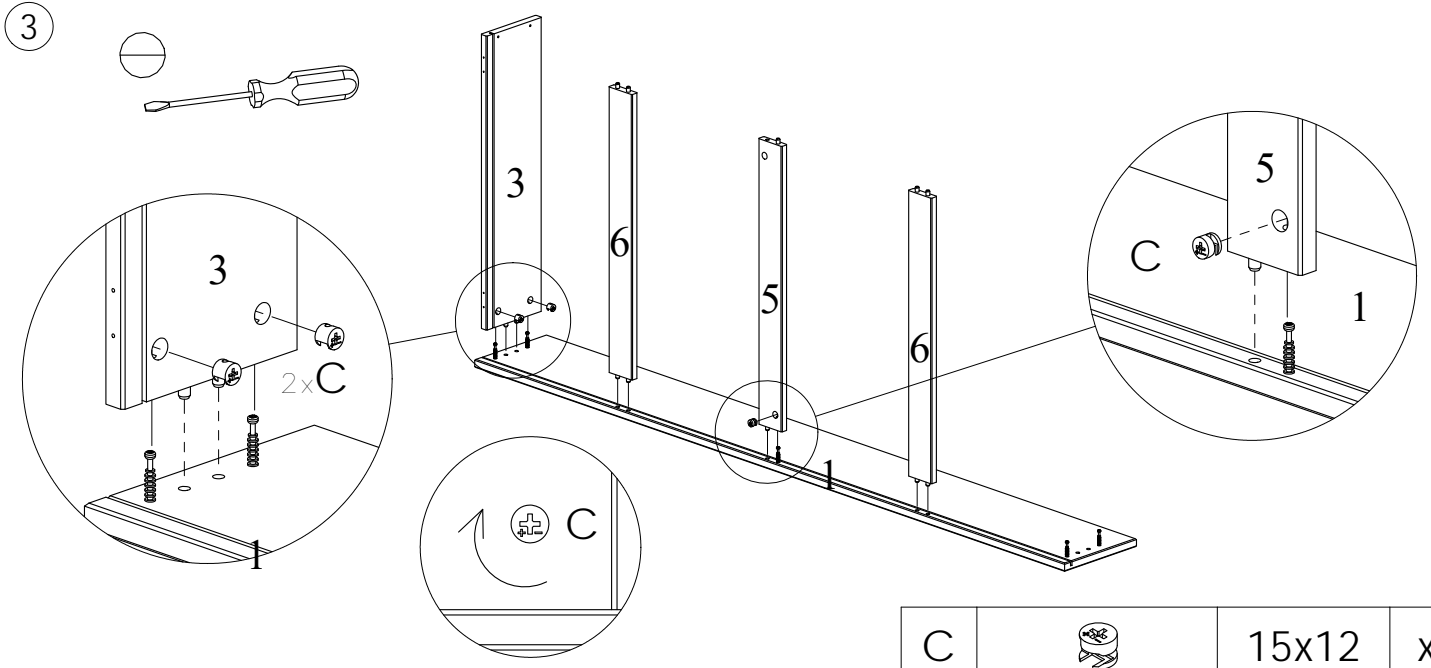
②



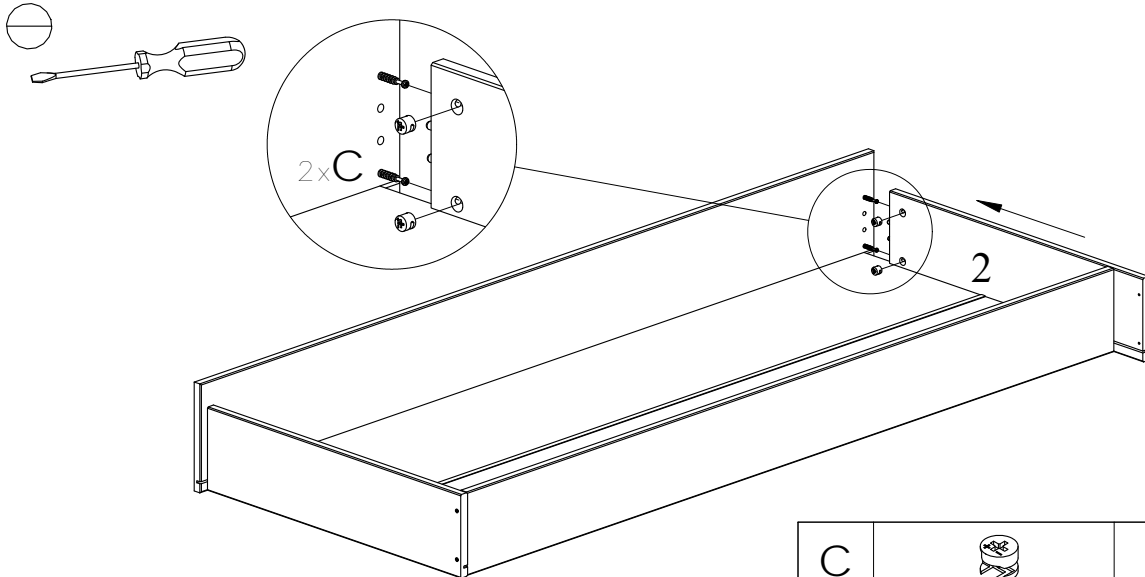
OK!



B		7x34	x6
---	--	------	----

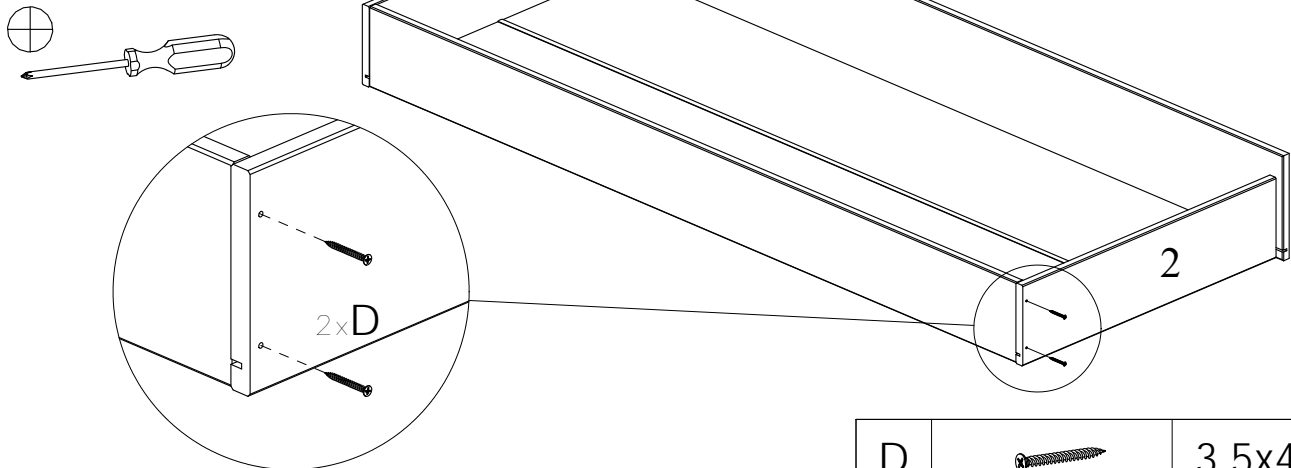



6



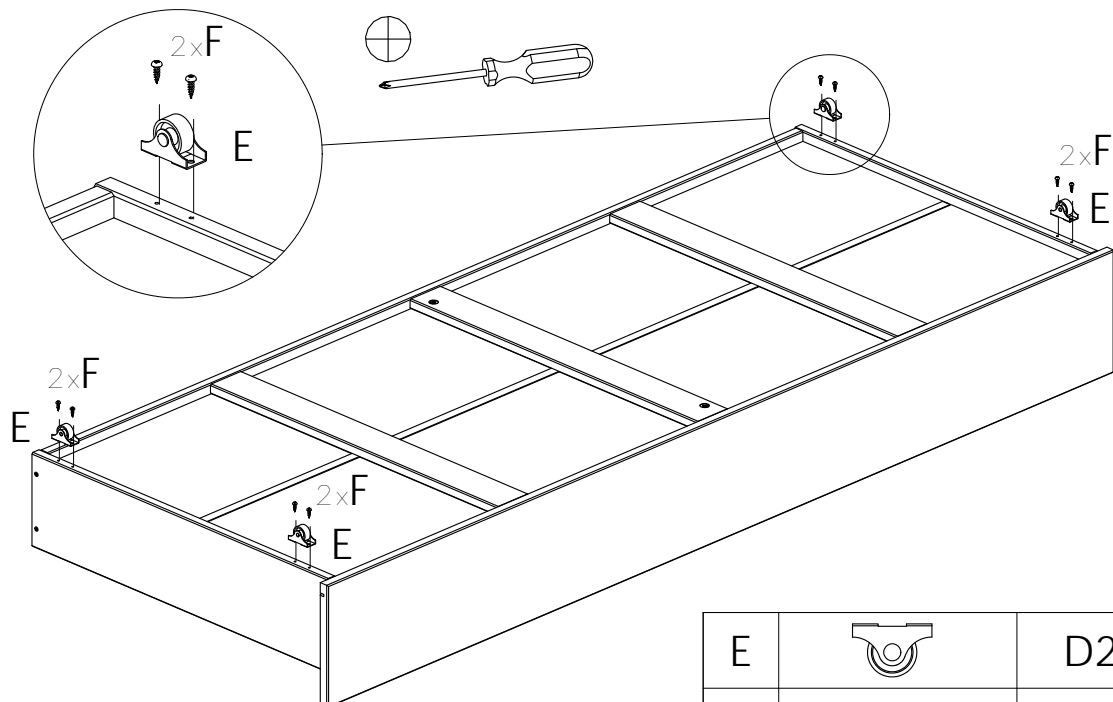
C		15x12	x2
---	---	-------	----



7



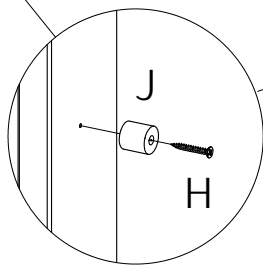
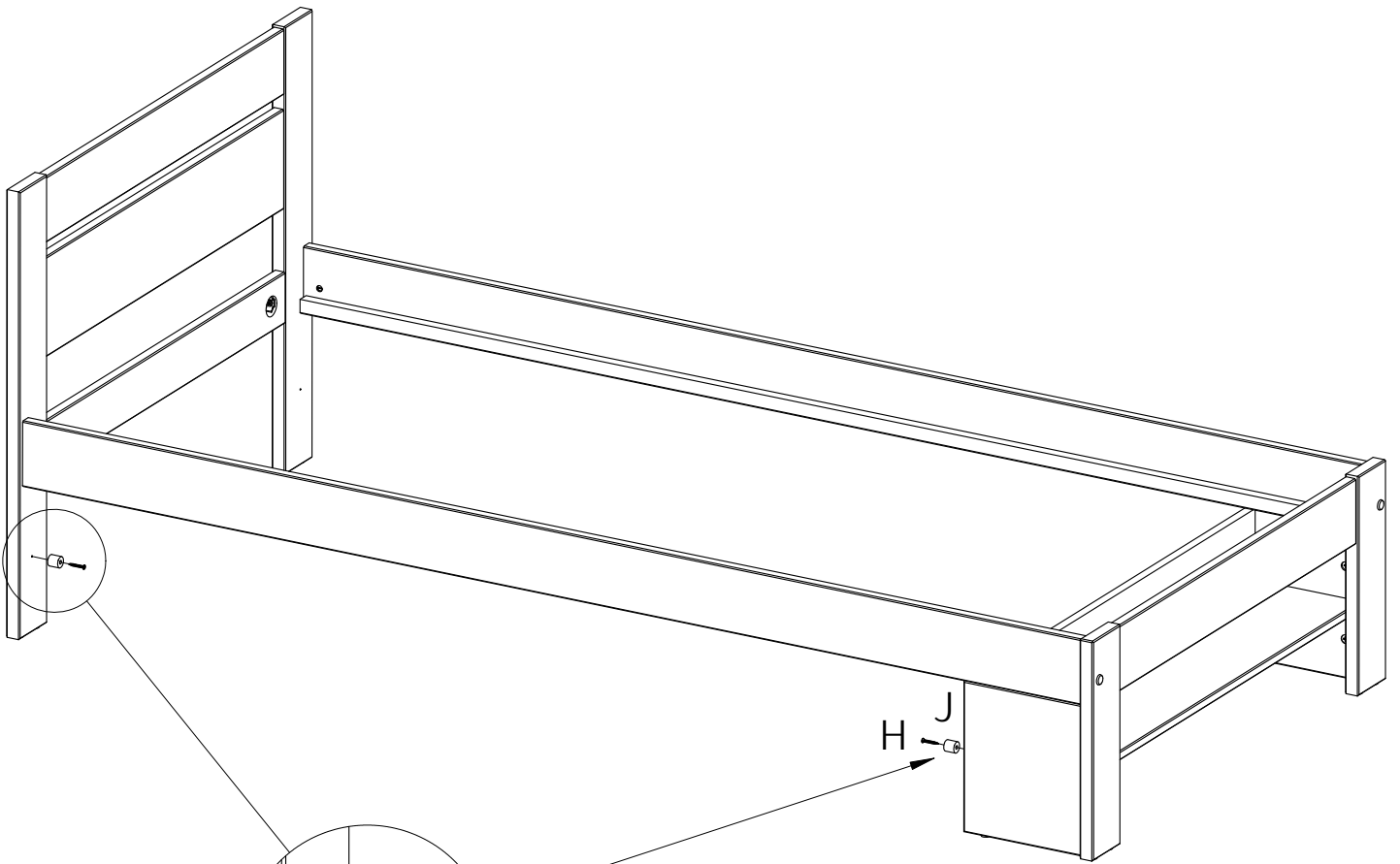
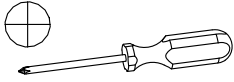
D		3,5x40	x2
---	---	--------	----



8



E		D26	x4
F		3,5x16	x8

9



H		4x30	x2
J		D19x19	x2