

Important Information

Please be aware that there may be a light smell emitting from the product once you have opened the boxes and begun to assemble the bed. This smell will subside within 6-8 weeks. We recommend keeping windows open and fresh air circulating wherever possible.

Please take the time to carefully read through all of these instructions before you commence building this bed.

Keep these instructions for future reference.

Make sure to unpack, inspect and check all contents to ensure you have received every component.

WARNING - Small components or parts could choke a child if swallowed.

We strongly recommend that you keep children away from the work area.

We recommend laying a sheet or blanket on the floor where you intend to work to avoid scratching this product and protect your floor.

This product is heavy. Take extreme care when lifting and use two people to avoid personal injury or damage to the product.

Assemble the product close to its intended final position in your room, so you do not need to move it too much.

Keep any sharp objects away from the bed frame.

Please dispose of all packing safely.

HANDY HINT: If you keep the hardware in a bowl during assembly, you will be less likely to lose them.

HEALTH AND SAFETY

DO NOT: jump on this bed frame.








DO NOT: use this bed frame if any part is missing, damaged or worn.

DO NOT: use this bed frame unless all fixings are secured.

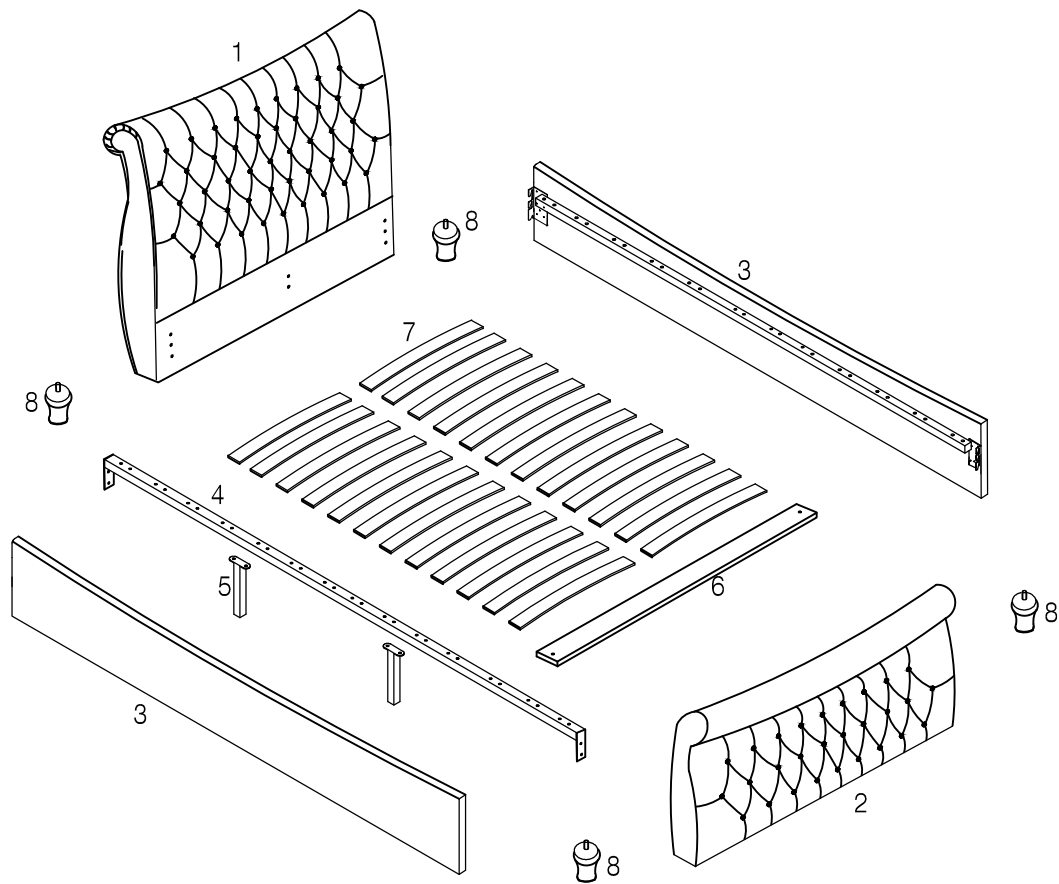
DO NOT: push this bed frame as this will damage the legs.

WARNING: If placing this bed on a non-carpeted floor, you must place some protection under all legs to stop the bed frame from moving. If you do not adhere to this, then there is no guarantee if the bed frames collapse.

No	Part List	Qty	Box
1	Headboard	1pc	1
2	Footboard	1pc	2
3	Side Rail	2pcs	3
4	Centre Support Rail	1pc	3
5	Centre Frame Leg	2pcs	1
6	Bed Cross wood slat	1pc	1
7	Slats	24pcs	1
8	Legs	4pcs	1

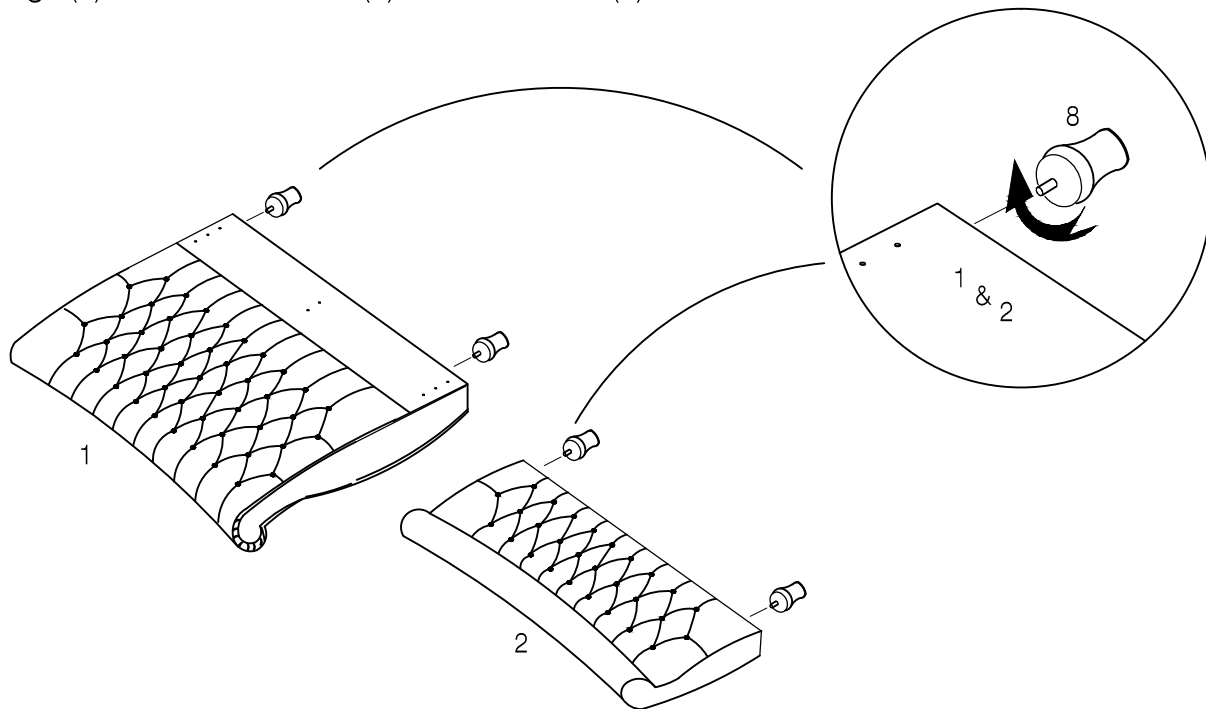
No	Hardware List	Qty	Box
A	Bolt M8 x 16mm 	4pcs	3
B	Bolt M8 x 30mm 	16pcs	3
C	CSK M4 x 30mm 	2pcs	3
D	Adjustable Foot 	2pcs	3
E	Allen Key M5 	1pc	3
F	Side Slat Caps 	24pcs	1
G	Centre Slat Caps 	12pcs	1

* You will also need a screwdriver (not provided)



Step 1:

To fix the Legs (8) to the headboard (1) and footboard (2).

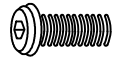



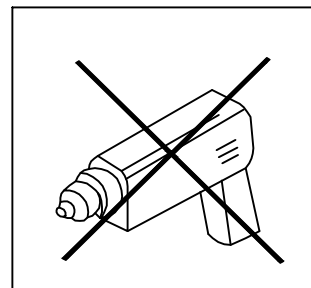
DO NOT use any power tools as this may damage the frame and will invalidate any claim.

Step 2:

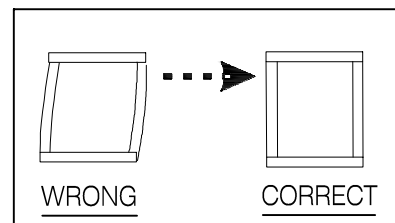
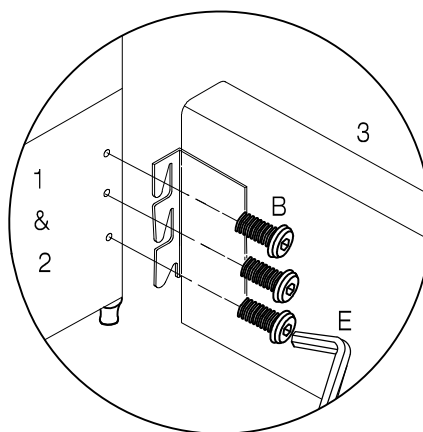
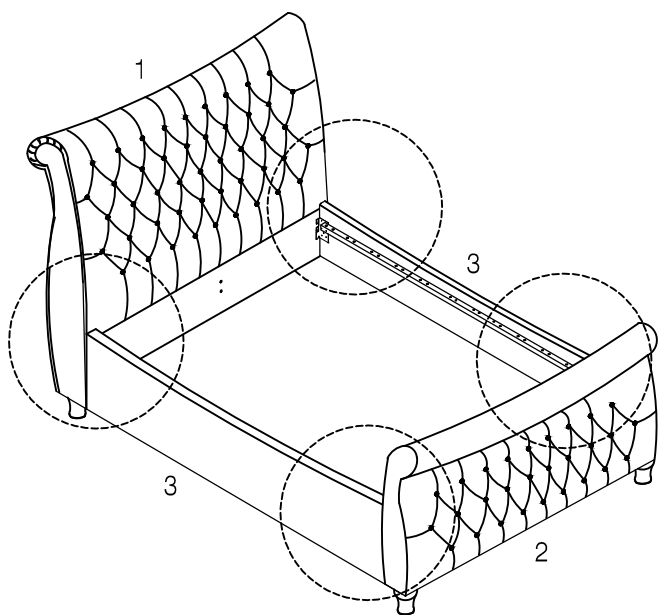
To fix the side rail (3) to the headboard (1) and footboard (2), you will need to use Bolt (B) with the M5 allen key (E).

DO NOT use any power tools as this may damage the frame and will invalidate any claim.

B	Bolt M8 x 30mm		12pcs
E	Allen Key M5		1pc



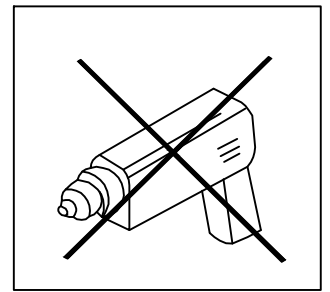
Do Not Use Power Tools






Before tightening the bolts, please ensure the bed frame is square

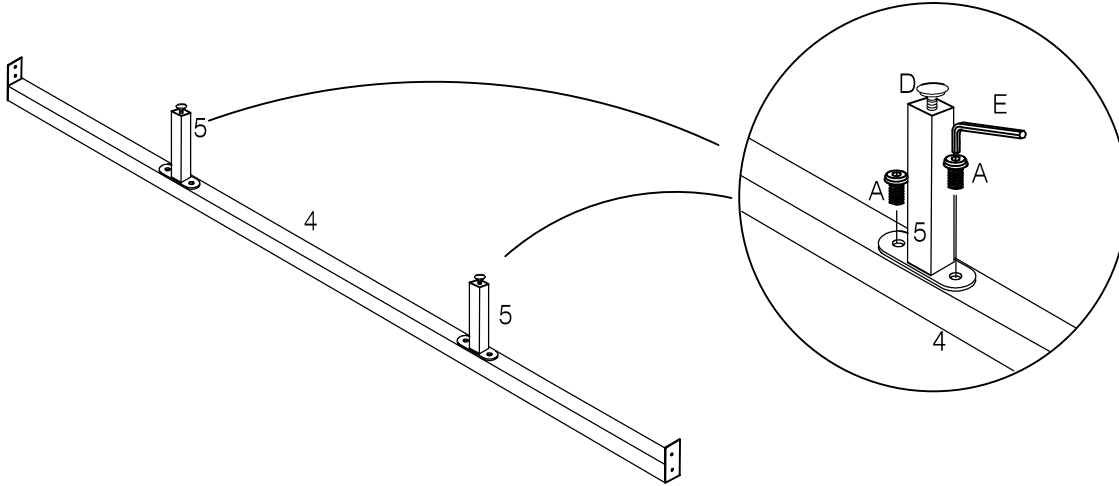
Step 3:

To fix the Centre Frame Leg (5) to the Centre Support Rail (4), you will need to use Adjustable Foot (D), Bolt (A) with the M5 allen key (E).



Do Not Use Power Tools

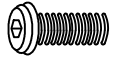

A	Bolt M8 x 16mm		4pcs
D	Adjustable Foot		2pcs
E	Allen Key M5		1pc

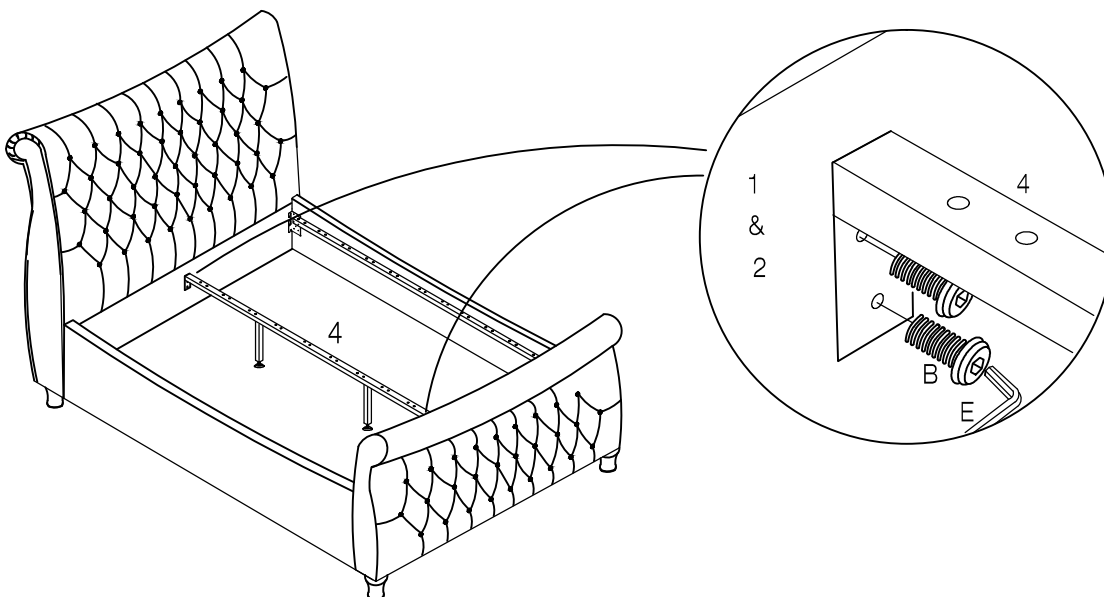


DO NOT use any power tools as this may damage the frame and will invalidate any claim.

Step 4:

To fix the Centre Support Rail (4) to the headboard (1) and footboard (2), you will need to use Bolt (B) with the M5 allen key (E).

B	Bolt M8 x 30mm		4pcs
E	Allen Key M5		1pc

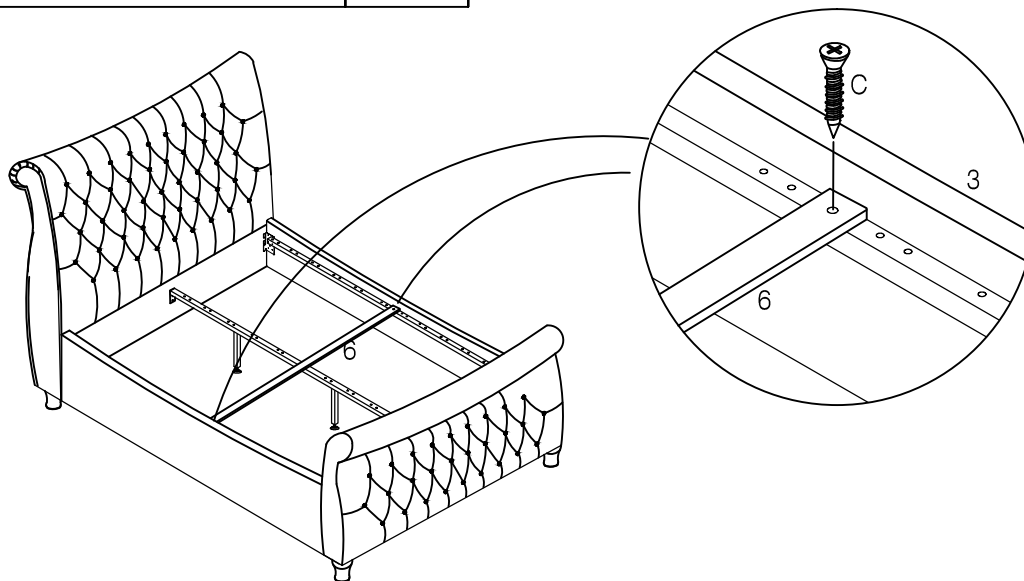


DO NOT use any power tools as this may damage the frame and will invalidate any claim.

Step 5:

To fix the Bed Cross wood slat (6) to the side rail (3), you will need to use CSK (C).

C	CSK M4 x 30mm		2pcs
---	---------------	---	------

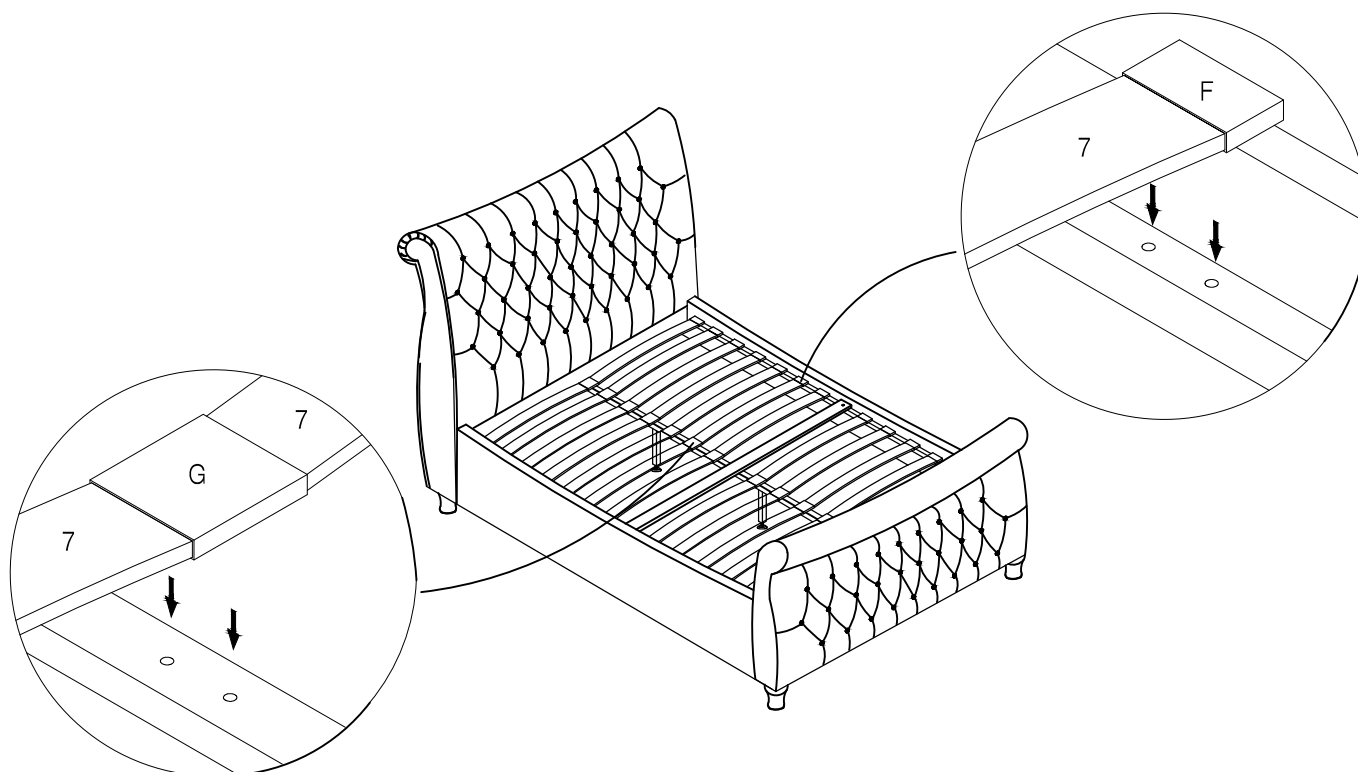


DO NOT use any power tools as this may damage the frame and will invalidate any claim.

Step 6:

To fix the Side Slat Caps (F) and Centre Slat Caps (G) to the bed Slats (7).

F	Side Slat Caps		24pcs
G	Centre Slat Caps		12pcs



DO NOT use any power tools as this may damage the frame and will invalidate any claim.